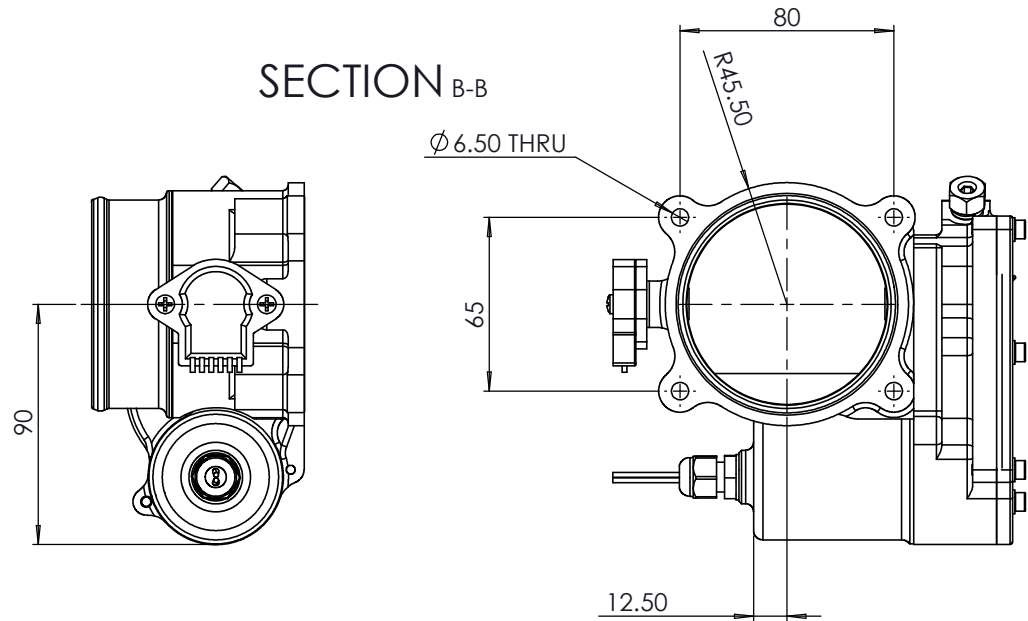

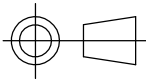


SECTION B-B



NOTE:
 1. FOR TPS PIN OUT DETAIL SEE TPS DATA SHEET.
 2. FOR MOTOR :
 + = RED
 - = BLACK

 COPYRIGHT (c) 2013 AT POWER LTD UNIT 9, CHESTNUT DRIVE, WYMONDHAM, NORFOLK, UK, NR18 9SB	 THIRD ANGLE PROJECTION		MATERIAL	SEE COMPONENT PARTS
	SCALE 1:2	WEIGHT 1.0 kg	FINISH	SEE COMPONENT PARTS
UNLESS OTHERWISE STATED: DIMENSIONS IN MILLIMETRES TOLERANCES: LINEAR ± 0.1 ANGULAR ± 0.5° SURFACE FINISH √ = √ DRAWING STANDARDS TO ATQS 6003 DATE FORMAT: DD/MM/YY	DRAWN- S.HOW	DRAWING TITLE		DBW SINGLE THROTTLE - 75 BORE- 78 DIA HOSE INLET
THIS DESIGN IS THE PROPERTY OF AT POWER THROTTLES LTD AND MUST NOT BE REPRODUCED OR COMMUNICATED WITHOUT AUTHORITY	DATE - 27/08/19	CHECKED - S.HOW	DRAWING NUMBER	
CAD PLOT DO NOT SCALE	APPROVED - A.CLIFFTON	102-106-00063		SHEET 2 OF 2 A3