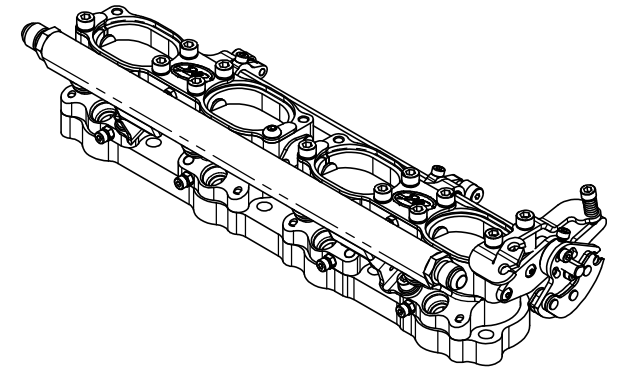
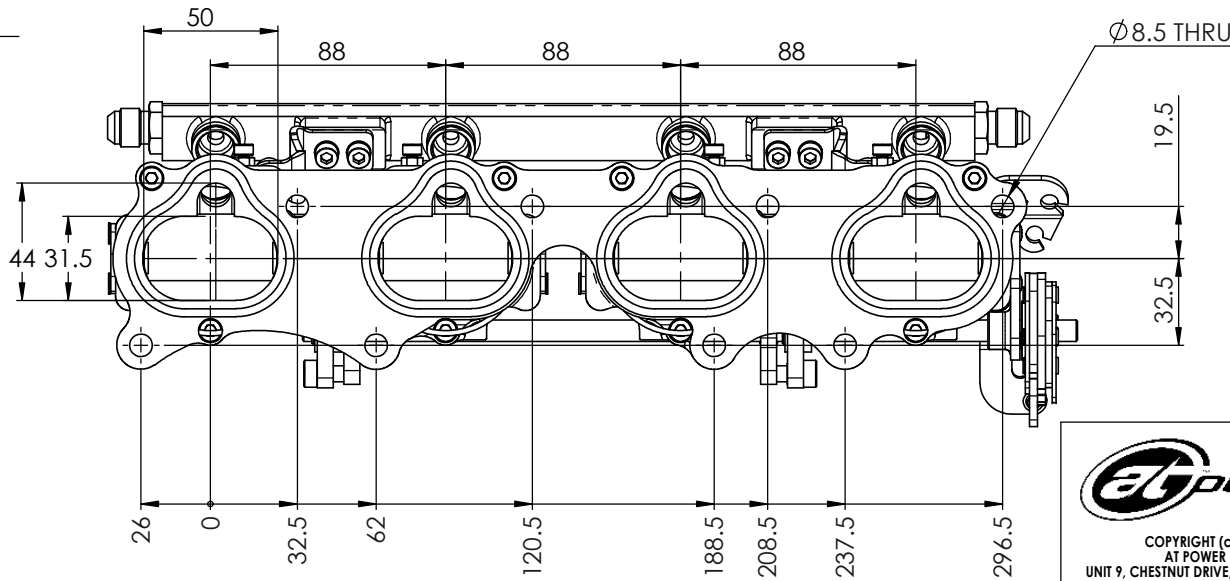
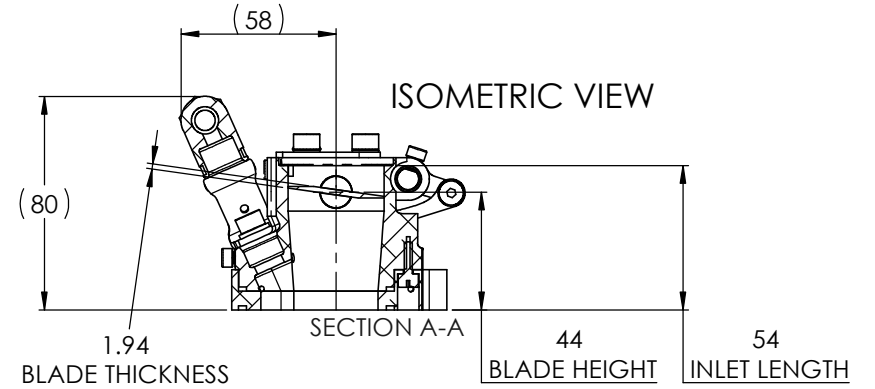
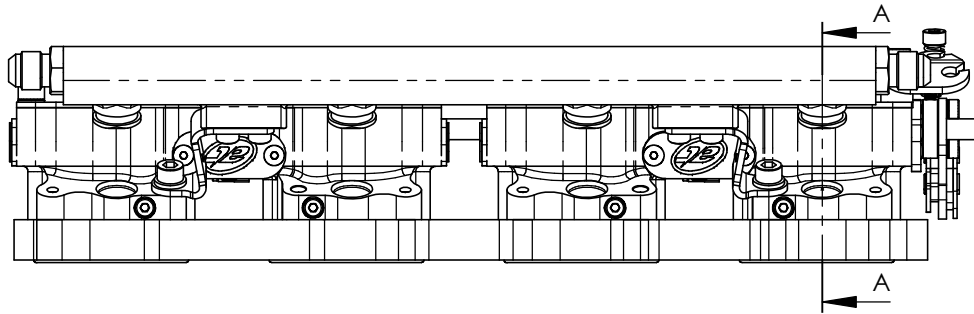

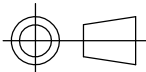


NOTE;

BLADE DIMENSIONS - 50 WIDE x 36 HIGH
 = \varnothing 45mm EQUIVALENT OVAL



| | | | | |
|--|---|----------------------|---------------|-------------------------------------|
|  COPYRIGHT (c) 2013 AT POWER LTD UNIT 9, CHESTNUT DRIVE, WYMONDHAM, NORFOLK, UK, NR18 9SB |  THIRD ANGLE PROJECTION | | MATERIAL | SEE COMPONENT PARTS |
| | SCALE 1:2 | WEIGHT 2.0 kg | FINISH | SEE COMPONENT PARTS |
| UNLESS OTHERWISE STATED: DIMENSIONS IN MILLIMETRES TOLERANCES: LINEAR ± 0.1 ANGULAR $\pm 0.5^\circ$ SURFACE FINISH $\sqrt{\text{A}}$ = $\sqrt{\text{B}}$ DRAWING STANDARDS TO ATQS 6003 DATE FORMAT: DD/MM/YY THIS DESIGN IS THE PROPERTY OF AT POWER THROTTLES LTD AND MUST NOT BE REPRODUCED OR COMMUNICATED WITHOUT AUTHORITY | DRAWN - S.HOW | DRAWING TITLE | | ASSY - HOUSING - TWIN - VW - ABF |
| | DATE - 25/10/18 | DRAWING NUMBER | | |
| | CHECKED - S.HOW | APPROVED - A.CLIFTON | 102-104-00043 | |