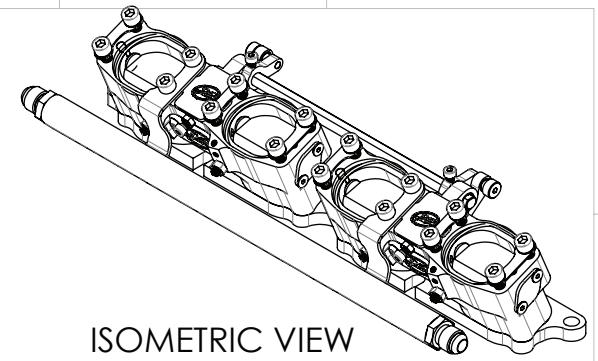
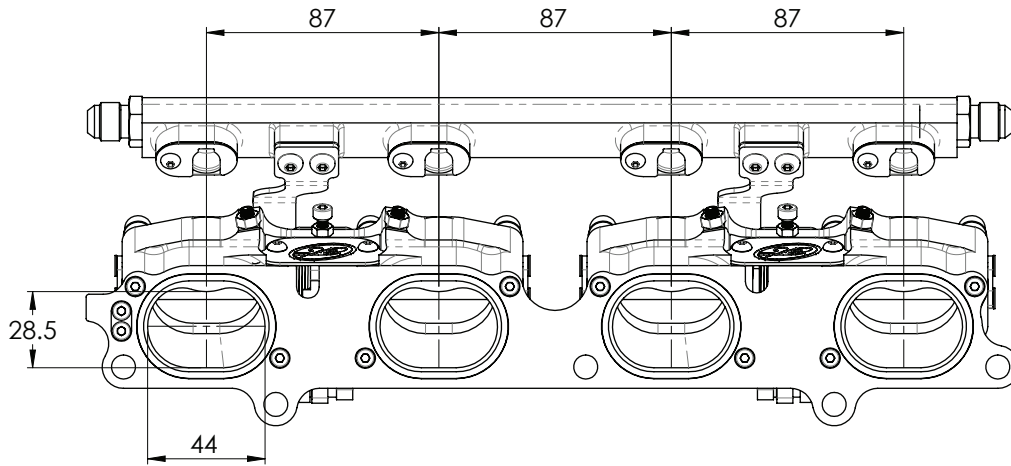
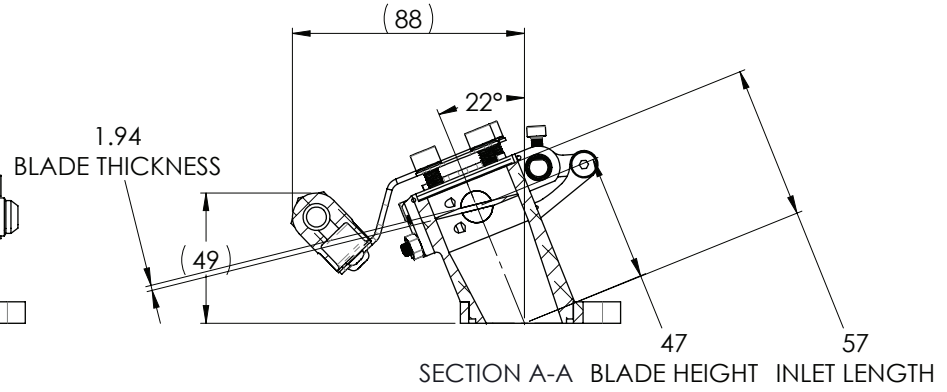
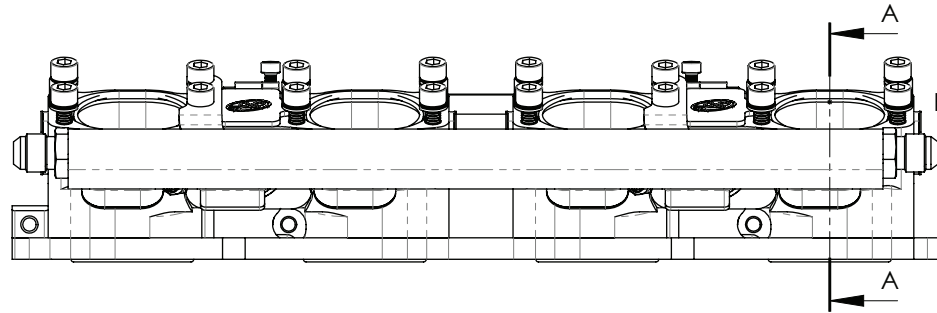



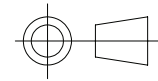
NOTE;

BLADE DIMENSIONS - 42 WIDE x 36 HIGH  
 =  $\varnothing 38\text{mm}$  EQUIVALENT OVAL



ISOMETRIC VIEW



 COPYRIGHT (c) 2013 AT POWER LTD UNIT 9, CHESTNUT DRIVE, WYMONDHAM, NORFOLK, UK, NR18 9SB	 THIRD ANGLE PROJECTION	MATERIAL	SEE COMPONENT PARTS	
		FINISH	SEE COMPONENT PARTS	
UNLESS OTHERWISE STATED: DIMENSIONS IN MILLIMETRES TOLERANCES: LINEAR $\pm 0.1$ ANGULAR $\pm 0.5^\circ$ SURFACE FINISH $\checkmark = \checkmark$ DRAWING STANDARDS TO ATQS 6003 DATE FORMAT: DD/MM/YY THIS DESIGN IS THE PROPERTY OF AT POWER THROTTLES LTD AND MUST NOT BE REPRODUCED OR COMMUNICATED WITHOUT AUTHORITY	SCALE	1:2	WEIGHT	1.5 kg
	DRAWN-	S.HOW		
	DATE -	11/06/20		
	CHECKED -	S.HOW		
	APPROVED -	A.CLIFTON		
		DRAWING TITLE	ASSY - HOUSING - TWIN - FORD - SIGMA/ZETEC	
		DRAWING NUMBER	102-104-00033	
			SHEET 2 OF 2 A3	