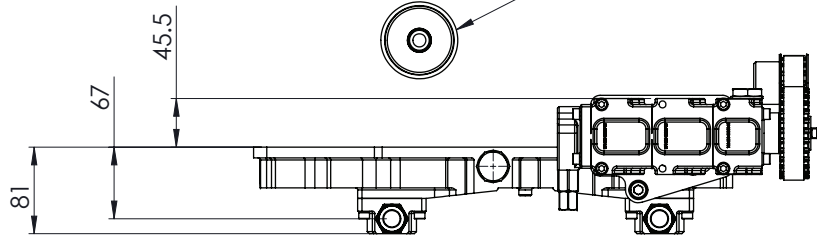
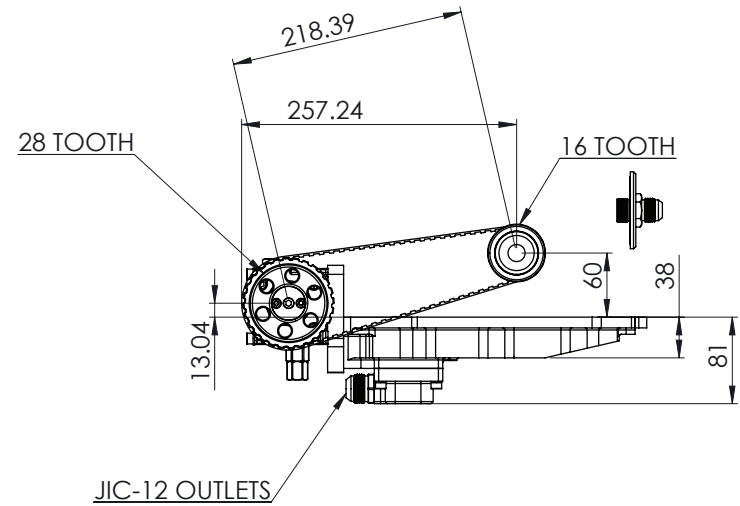
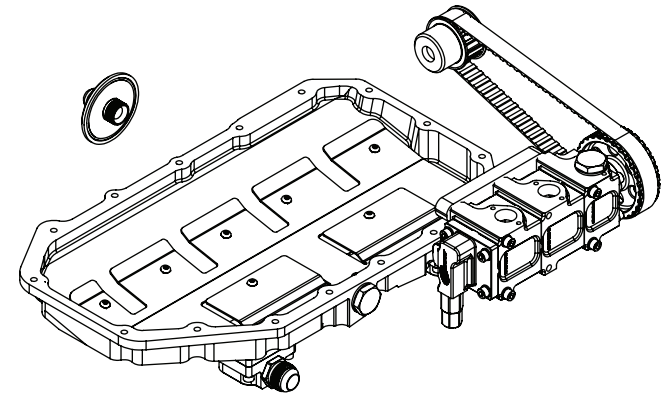
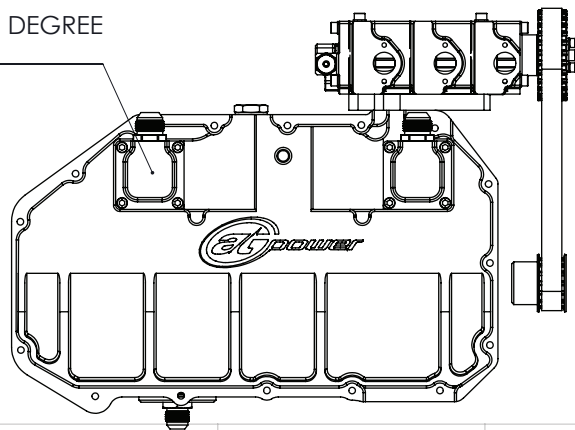


TURBO DRAIN  
M22 X 1.5 TAP IN PAN  
PLUG AND DOWTY WASHER SUPPLIED

OIL IN WITH JIC-10 FITTING



SCAVANGE TURRETS  
CAN BE ROTATED AT 90 DEGREE  
INTERVALS



JIC-12 OUTLETS

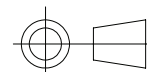


COPYRIGHT (c) 2013  
AT POWER LTD  
UNIT 9, CHESTNUT DRIVE, WYMONDHAM,  
NORFOLK, UK, NR18 9SB

UNLESS OTHERWISE STATED:  
DIMENSIONS IN MILLIMETRES  
TOLERANCES: LINEAR  $\pm 0.1$  ANGULAR  $\pm 0.5^\circ$   
SURFACE FINISH  $\sqrt{\text{V}}$  =  $\sqrt{\text{V}}$   
DRAWING STANDARDS TO ATQS 6003  
DATE FORMAT: DD/MM/YY

THIS DESIGN IS THE PROPERTY OF  
AT POWER THROTTLES LTD AND  
MUST NOT BE REPRODUCED OR  
COMMUNICATED WITHOUT  
AUTHORITY

CAD PLOT  
DO NOT  
SCALE



THIRD ANGLE PROJECTION

SCALE 1:3 WEIGHT 6.1 kg

DRAWN - S.HOW

DATE - 19/06/19

CHECKED - S.HOW

APPROVED - S.HOW

MATERIAL

SEE COMPONENT PARTS

FINISH

SEE COMPONENT PARTS

DRAWING TITLE

ASSY - SUMP KIT - HONDA -  
K20 - 3/4" BELT - EXHAUST

DRAWING NUMBER

105-102-00015

SHEET 2 OF 2 A3