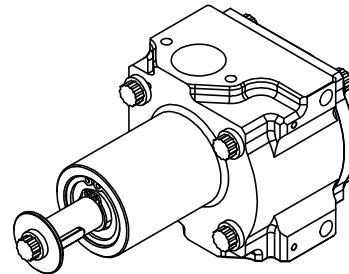
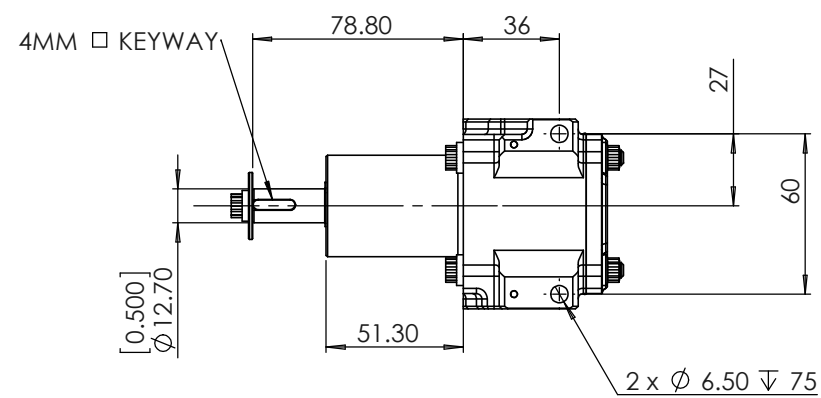
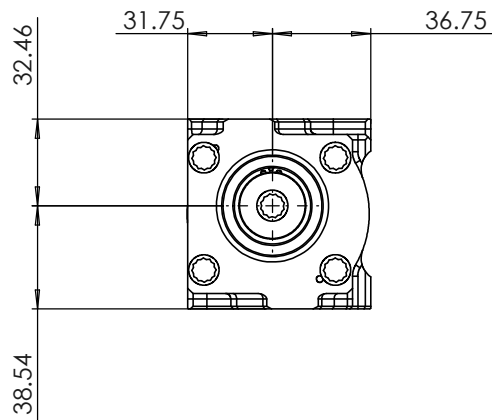
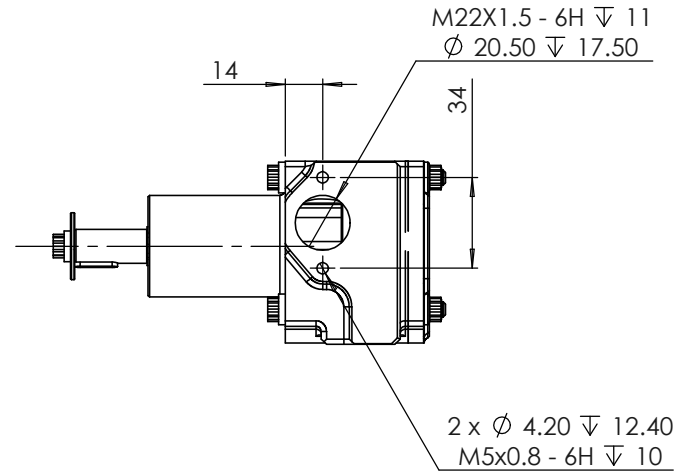

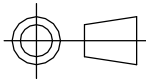


NOTES:

1. DISPLACEMENT PER REVERLUTION PER STAGE = 14.3 CC/REV
2. DISPLACEMENT AT 1000 RPM = 14.3 LT/MIN



 COPYRIGHT (c) 2013 AT POWER LTD UNIT 9, CHESTNUT DRIVE, WYMONDHAM, NORFOLK, UK, NR18 9SB	 THIRD ANGLE PROJECTION		MATERIAL SEE COMPONENT PARTS
	SCALE 1:2	WEIGHT 0.9 kg	FINISH SEE COMPONENT PARTS
UNLESS OTHERWISE STATED: DIMENSIONS IN MILLIMETRES TOLERANCES: LINEAR ± 0.1 ANGULAR ± 0.5° SURFACE FINISH √ = √ DRAWING STANDARDS TO ATQS 6003 DATE FORMAT: DD/MM/YY	DRAWN- S.HOW	DRAWING TITLE <b>1 STAGE CORDIS- SCAVENGE PUMP-LONG NOSE-14.3 Lt</b>	
THIS DESIGN IS THE PROPERTY OF AT POWER THROTTLES LTD AND MUST NOT BE REPRODUCED OR COMMUNICATED WITHOUT AUTHORITY	CAD PLOT DO NOT SCALE	DATE - 20/12/17	DRAWING NUMBER <b>104-103-00072</b>
		CHECKED - S.HOW	
		APPROVED - A.CLIFTON	SHEET 2 OF 2 A3