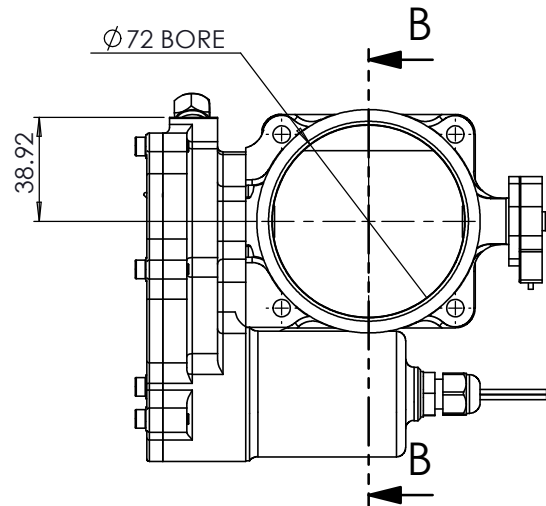
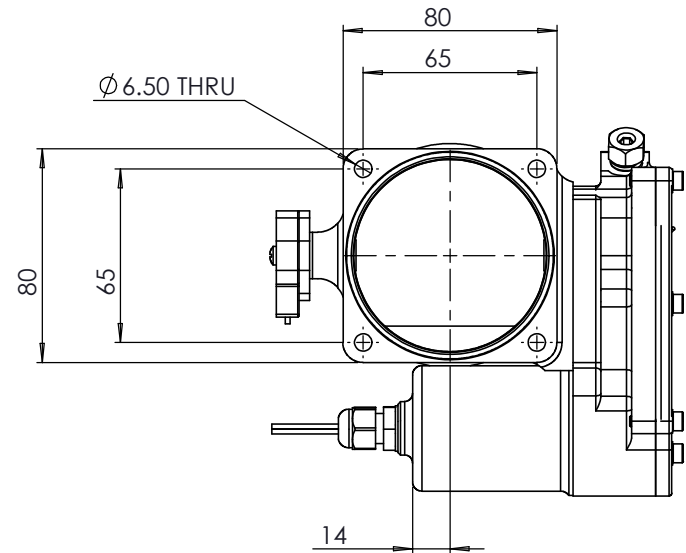
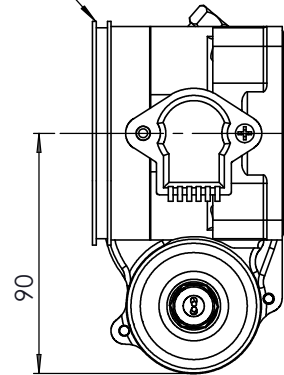


SECTION B-B



WIGGINS FITTING



NOTE:
 1. FOR TPS PIN OUT DETAIL SEE TPS DATA SHEET.
 2. FOR MOTOR :
 + = RED
 - = BLACK

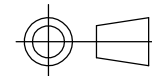


COPYRIGHT (c) 2013
 AT POWER LTD
 UNIT 9, CHESTNUT DRIVE, WYMONDHAM,
 NORFOLK, UK, NR18 9SB

UNLESS OTHERWISE STATED:
 DIMENSIONS IN MILLIMETRES
 TOLERANCES: LINEAR ± 0.1 ANGULAR ± 0.5°
 SURFACE FINISH $\sqrt{\text{V}}$ = $\sqrt{\text{V}}$
 DRAWING STANDARDS TO ATQS 6003
 DATE FORMAT: DD/MM/YY

THIS DESIGN IS THE PROPERTY OF
 AT POWER THROTTLES LTD AND
 MUST NOT BE REPRODUCED OR
 COMMUNICATED WITHOUT
 AUTHORITY

CAD PLOT
 DO NOT
 SCALE



THIRD ANGLE PROJECTION

SCALE 1:2 WEIGHT 0.9 kg

DRAWN- S.HOW

DATE - 28/08/19

CHECKED - S.HOW

APPROVED - A.CLIFTON

MATERIAL

SEE COMPONENT PARTS

FINISH

SEE COMPONENT PARTS

DRAWING TITLE

DBW SINGLE THROTTLE -
 72 BORE- 80 DIA
 WIGGINS FITTING

DRAWING NUMBER

102-106-00065