
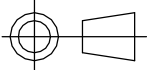


ISOMETRIC VIEW

| | | | |
|--|---|--|---------------------------|
|  COPYRIGHT (c) 2013 AT POWER LTD UNIT 9, CHESTNUT DRIVE, WYMONDHAM, NORFOLK, UK, NR18 9SB |  THIRD ANGLE PROJECTION | MATERIAL | SEE COMPONENT PARTS |
| | | FINISH | SEE COMPONENT PARTS |
| UNLESS OTHERWISE STATED: DIMENSIONS IN MILLIMETRES TOLERANCES: LINEAR ± 0.1 ANGULAR $\pm 0.5^\circ$ SURFACE FINISH $\sqrt{\text{V}}$ DRAWING STANDARDS TO ATQS 6003 DATE FORMAT: DD/MM/YY | SCALE 1:1 WEIGHT 0.2 kg | DRAWING TITLE | ASSY - SINGLE BORE - 36MM |
| | DRAWN- S.HOW DATE - 21/10/15 | CHECKED - M.DAVIS APPROVED - A.CLIFFTON | DRAWING NUMBER |
| THIS DESIGN IS THE PROPERTY OF ACTIVE TECHNOLOGIES LTD AND MUST NOT BE REPRODUCED OR COMMUNICATED WITHOUT AUTHORITY | CAD PLOT DO NOT SCALE | SHEET 2 OF 2 A3 | |