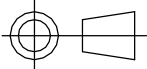
 COPYRIGHT (c) 2013 AT POWER LTD UNIT 9, CHESTNUT DRIVE, WYMONDHAM, NORFOLK, UK, NR18 9SB	 THIRD ANGLE PROJECTION		MATERIAL
	SCALE 1:1	WEIGHT 0.3 kg	SEE COMPONENT PARTS
UNLESS OTHERWISE STATED: DIMENSIONS IN MILLIMETRES TOLERANCES: LINEAR ± 0.1 ANGULAR ± 0.5° SURFACE FINISH √ = √ DRAWING STANDARDS TO ATQS 6003 DATE FORMAT: DD/MM/YY	DRAWN- S.HOW		FINISH
	DATE - 21/10/15		SEE COMPONENT PARTS
THIS DESIGN IS THE PROPERTY OF ACTIVE TECHNOLOGIES LTD AND MUST NOT BE REPRODUCED OR COMMUNICATED WITHOUT AUTHORITY	CHECKED - M.DAVIS	DRAWING TITLE	
	APPROVED - A.CLIFTON	ASSY - SINGLE BORE - 65MM	
CAD PLOT DO NOT SCALE	DRAWING NUMBER		
	102-120-00011		