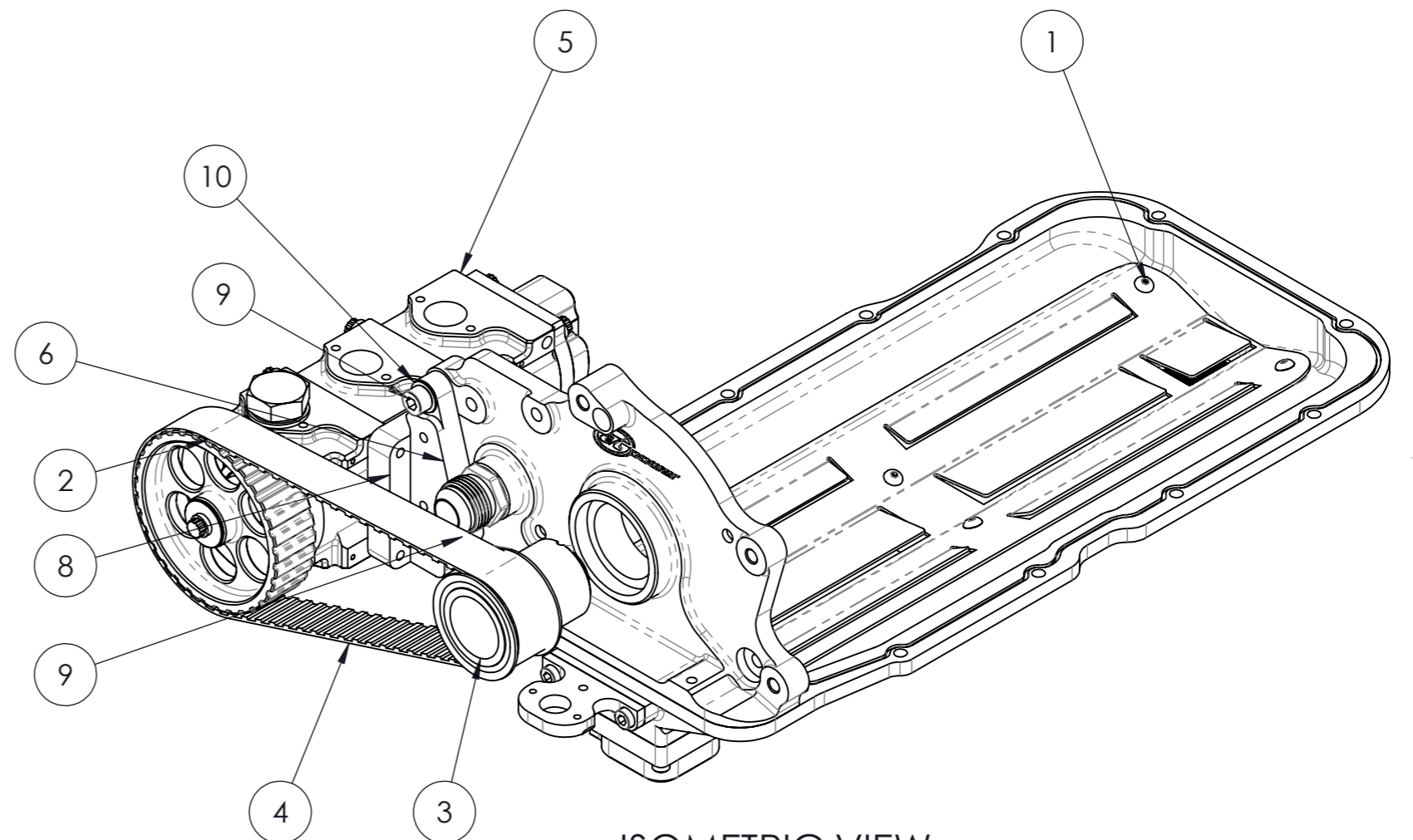

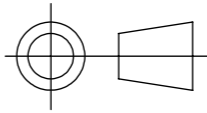


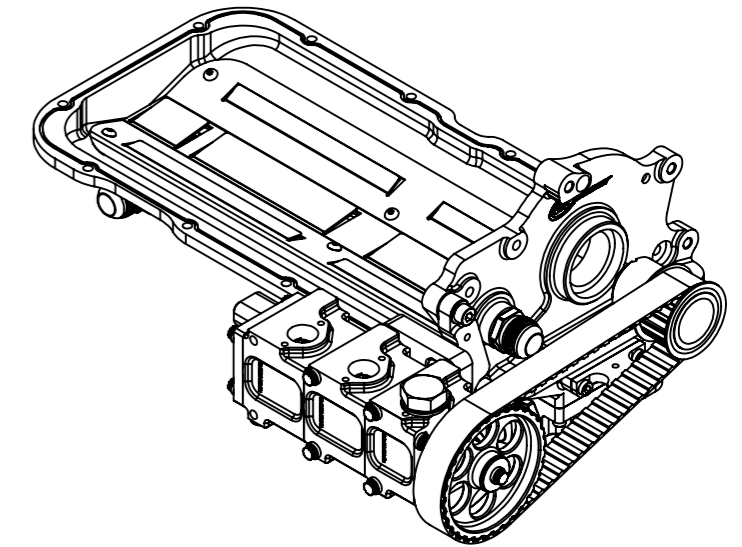
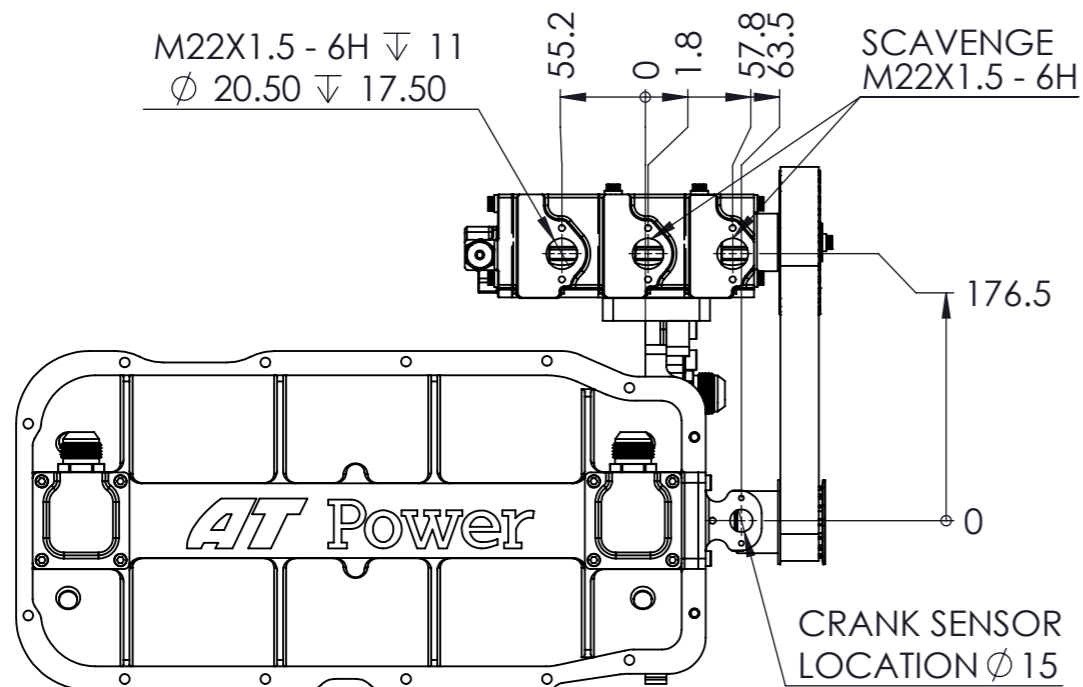
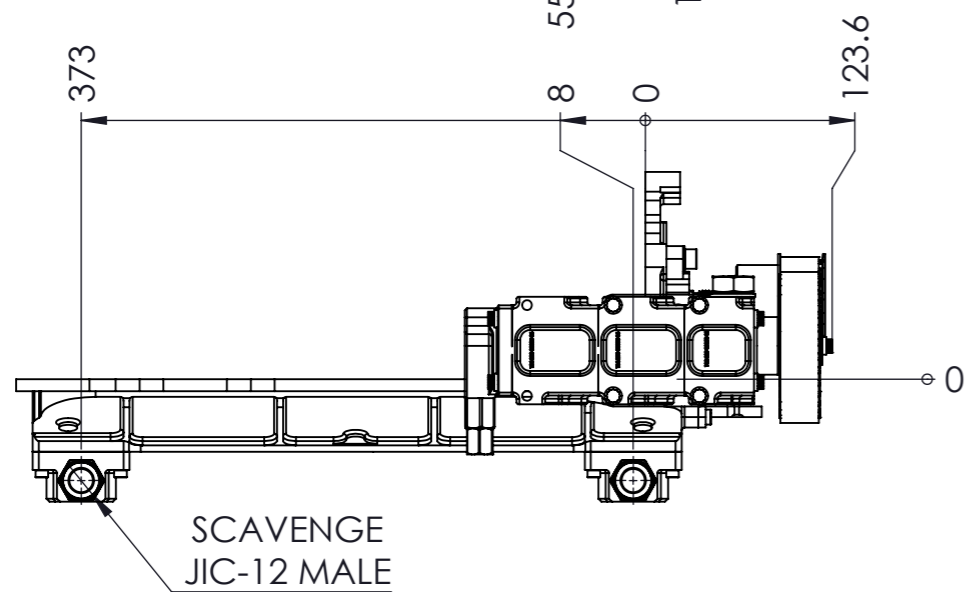
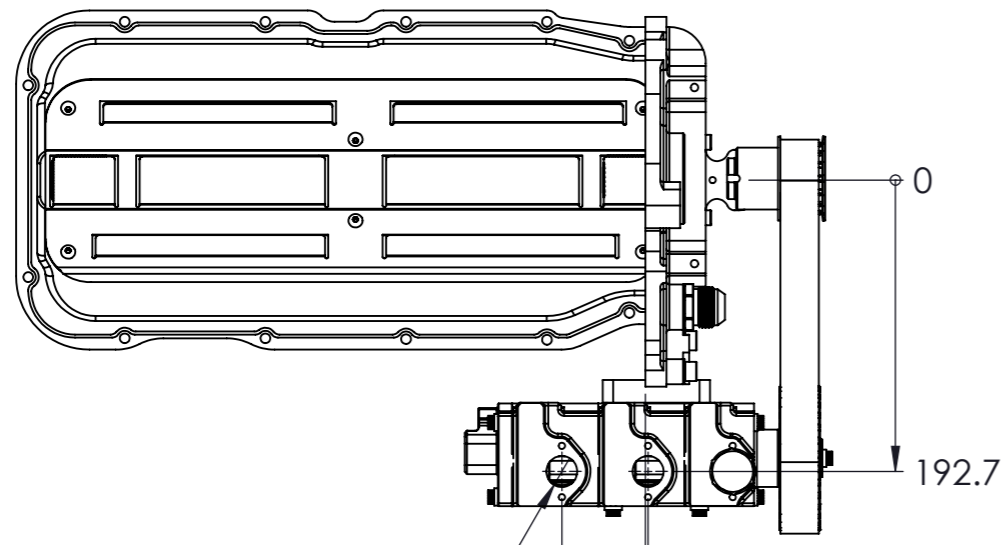
ITEM NO.	PART_DESC1	PART NUMBER	QTY.
1	ASSY - SUMP - VAUXHALL - X20XE - BILLET	103-102-00010	1
2	PULLEY - PUMP - 32 TOOTH - 1" WIDE - 1/2" BORE	104-204-00009	1
3	ASSY - PULLEY - CRANK - 16 TOOTH - 1" BELT - VAUXHALL - X20XE	105-106-00004	1
4	BELT - L-SECTION - 240L100	101-108-00023	1
5	ASSY - PUMP-3 STAGE CORDIS - FLG FITTING - 25 WIDE - SHORT	104-103-00056	1
6	BRACKET - PUMP INTAKE SIDE - XE2.0 SUMP KIT	103-207-00007	1
7	SCREW - ARP_HD - M6 x 80 - ARP	101-101-00020	4
8	BRACKET - PUMP - XE2.0 DRY SUMP KIT	103-207-00006	1
9	SCREW - SKT_HD - M8 x 25 - BZP	101-101-00093	2
10	WASHER - FLAT - M8 x 16.7 x 0.95	101-103-00018	2
11	SCREW - SKT_HD - M8 x 20 - BZP	101-101-00039	2

ISSUE	DESCRIPTION	ECN	DRN	CHK	DATE
01	INITIAL RELEASE	A0---	MED	S.HOW	12/06/13
02	PUMP CHANGED TO NEW FLANGED PUMP	ECR-12497	S.HOW	A.CLIFTON	30/10/17
03	PUMP MOUNTING CHANGED TO FIXED ARRANGEMENT	ECR-12573	S.HOW	A.CLIFTON	04/12/17

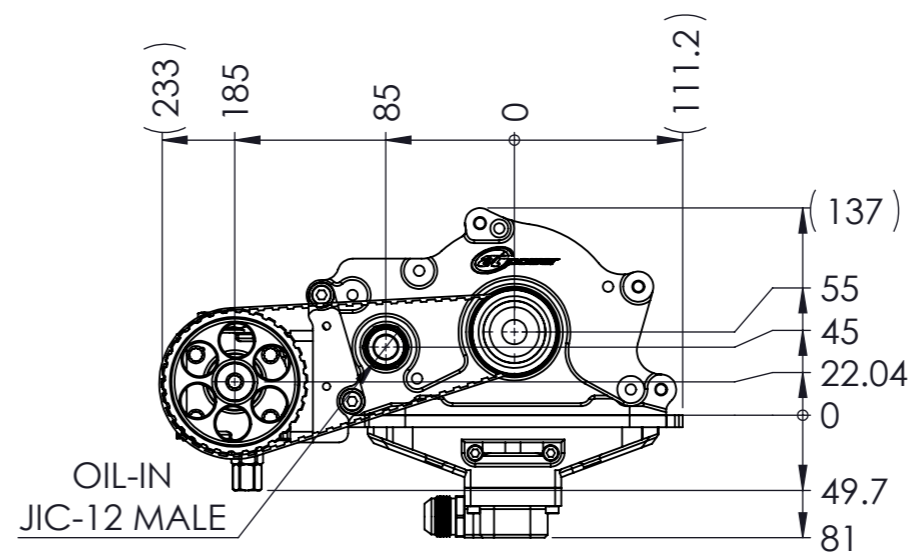


ISOMETRIC VIEW

 COPYRIGHT (c) 2013 AT POWER LTD UNIT 9, CHESTNUT DRIVE, WYMONDHAM, NORFOLK, UK, NR18 9SB	 THIRD ANGLE PROJECTION	MATERIAL	SEE COMPONENT PARTS	
		FINISH	SEE COMPONENT PARTS	
UNLESS OTHERWISE STATED: DIMENSIONS IN MILLIMETRES TOLERANCES: LINEAR ± 0.1 ANGULAR ± 0.5° SURFACE FINISH $\sqrt{\text{ }}$ = $\sqrt{\text{ }}$ DRAWING STANDARDS TO ATQS 6003 DATE FORMAT: DD/MM/YY THIS DESIGN IS THE PROPERTY OF AT POWER THROTTLES LTD AND MUST NOT BE REPRODUCED OR COMMUNICATED WITHOUT AUTHORITY	SCALE	WEIGHT	DRAWING TITLE	
	1:5	6.3 kg		ASSY - SUMP KIT - VAUXHALL - X20XE - MACHINED - 1" BELT - INTAKE
	DRAWN-	S.HOW		
DATE -	01/12/17	APPROVED -	105-102-00001	
CHECKED -	S.HOW			SHEET 1 OF 2 A3
CAD PLOT DO NOT SCALE	APPROVED -	A.CLIFTON		


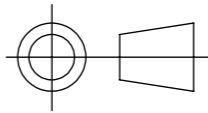


ISOMETRIC VIEW



NOTES:

1. DISPLACEMENT PER REVERLUTION PER STAGE = 14.3 CC/REV
2. DISPLACEMENT AT 1000 PUMP RPM = 14.3 LT/MIN
3. DRIVE RATIO - 16/32

 COPYRIGHT (c) 2013 AT POWER LTD UNIT 9, CHESTNUT DRIVE, WYMONDHAM, NORFOLK, UK, NR18 9SB	 THIRD ANGLE PROJECTION	MATERIAL	SEE COMPONENT PARTS	
		FINISH	SEE COMPONENT PARTS	
UNLESS OTHERWISE STATED: DIMENSIONS IN MILLIMETRES TOLERANCES: LINEAR \pm 0.1 ANGULAR \pm 0.5° SURFACE FINISH ∇ = ∇ DRAWING STANDARDS TO ATQS 6003 DATE FORMAT: DD/MM/YY THIS DESIGN IS THE PROPERTY OF AT POWER THROTTLES LTD AND MUST NOT BE REPRODUCED OR COMMUNICATED WITHOUT AUTHORITY	SCALE	WEIGHT	DRAWING TITLE	
	1:5	6.3 kg		ASSY - SUMP KIT - VAUXHALL - X20XE - MACHINED - 1" BELT - INTAKE
	DRAWN-	S.HOW		
	DATE -	01/12/17	105-102-00001	
	CHECKED -	S.HOW		SHEET 2 OF 2 A3
	APPROVED -	A.CLIFTON		