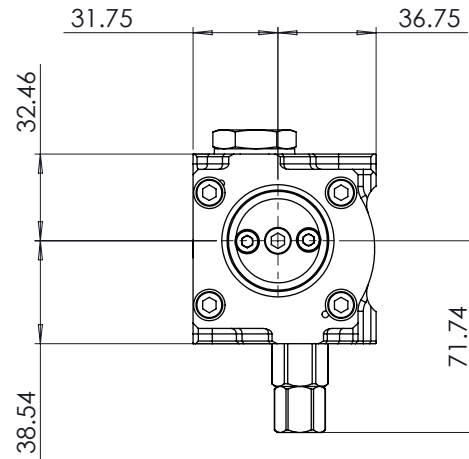


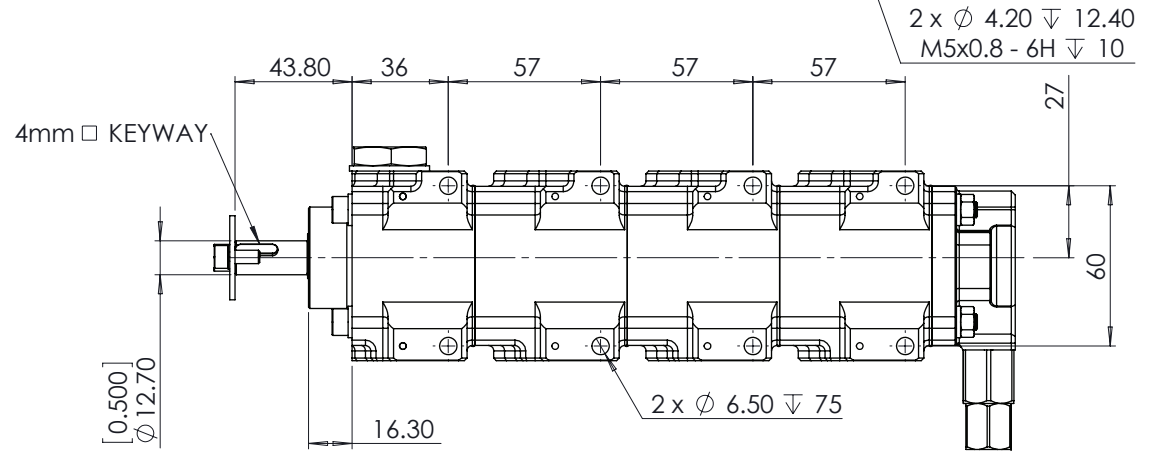
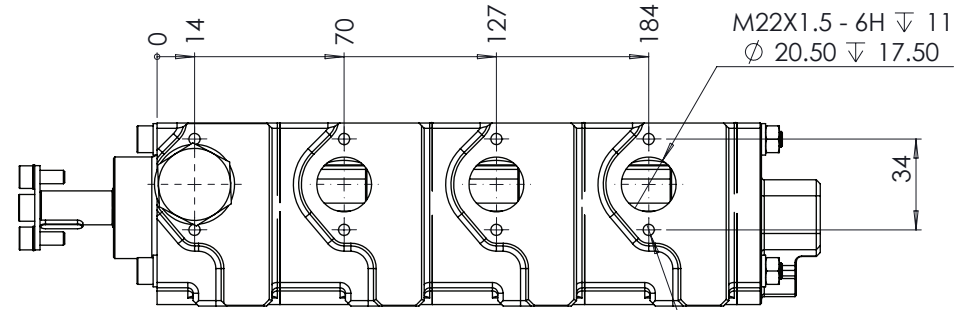
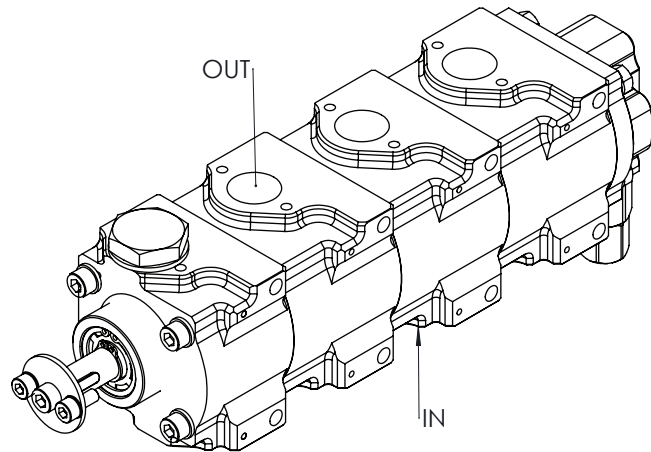
NOTES:

1. DISPLACEMENT PER REVOLUTION PER STAGE = 14.3 CC/REV
2. DISPLACEMENT AT 1000 RPM = 14.3 LT/MIN
3. PRV MINIMUM CRACKING PRESSURE = 52 PSI (3.58 BAR)
4. PRV MAXIMUM CRACKING PRESSURE = 146 PSI (10.0 BAR)
5. EACH FULL TURN OF THE PRV ADJUSTER THE CRACKING PRESSURE WILL INCREASE/DECREASE BY 4.3 PS (0.3 BAR)

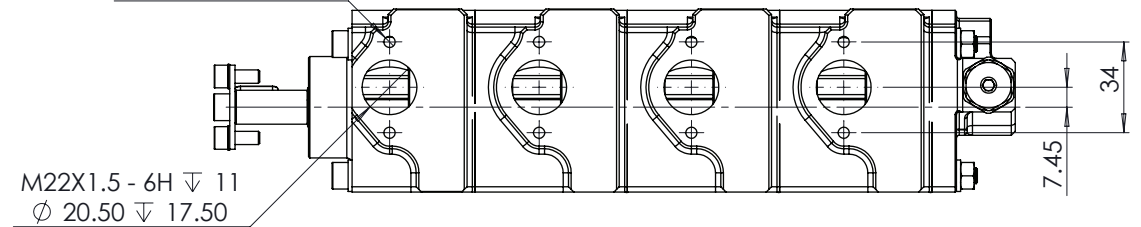
NOTE:
PUMP DISPLACEMENT IS FOR GUIDANCE ONLY AS EFFECIENCY IS INFLUENCED BY MULTIPLE FACTORS



CLOCKWISE ROTATION ONLY



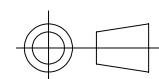
2 x Ø 4.20 ∇ 12.40
M5x0.8 - 6H ∇ 10



COPYRIGHT (c) 2013
AT POWER LTD
UNIT 9, CHESTNUT DRIVE, WYMONDHAM,
NORFOLK, UK, NR18 9SB

UNLESS OTHERWISE STATED:
DIMENSIONS IN MILLIMETRES
TOLERANCES: LINEAR ± 0.1 ANGULAR ± 0.5°
SURFACE FINISH ∇ = ∇
DRAWING STANDARDS TO ATQS 6003
DATE FORMAT: DD/MM/YY

THIS DESIGN IS THE PROPERTY OF
AT POWER THROTTLES LTD AND
MUST NOT BE REPRODUCED OR
COMMUNICATED WITHOUT
AUTHORITY



THIRD ANGLE PROJECTION

SCALE 1:2 WEIGHT 3.2 kg

DRAWN- S.HOW

DATE - 22/04/20

CHECKED - S.HOW

APPROVED - A.CLIFTON

CAD PLOT
DO NOT
SCALE

MATERIAL	SEE COMPONENT PARTS
FINISH	SEE COMPONENT PARTS
DRAWING TITLE	4 STAGE CORDIS-PRESSURE PUMP-SHORT NOSE-14.3 Lt
DRAWING NUMBER	104-103-00092