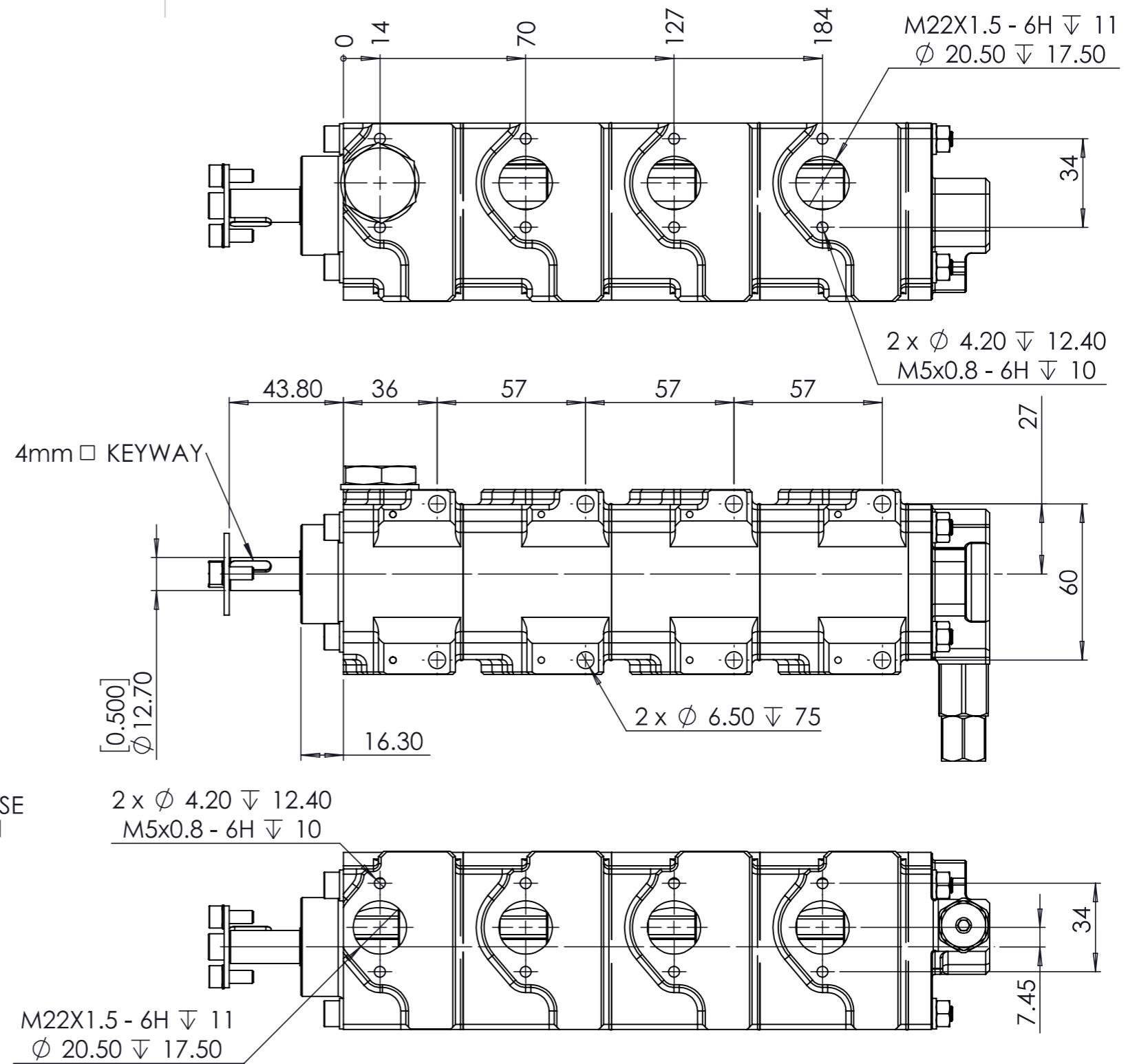
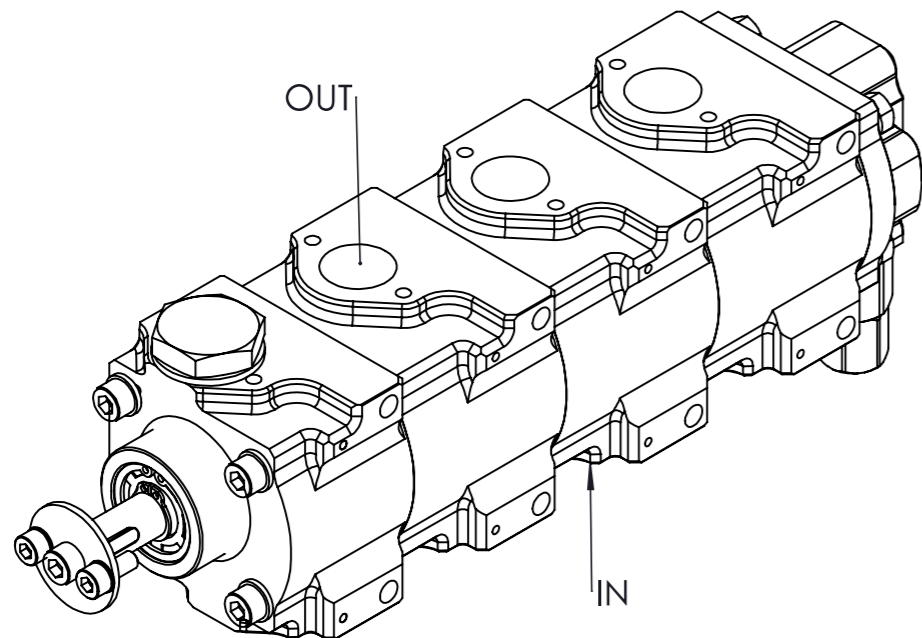
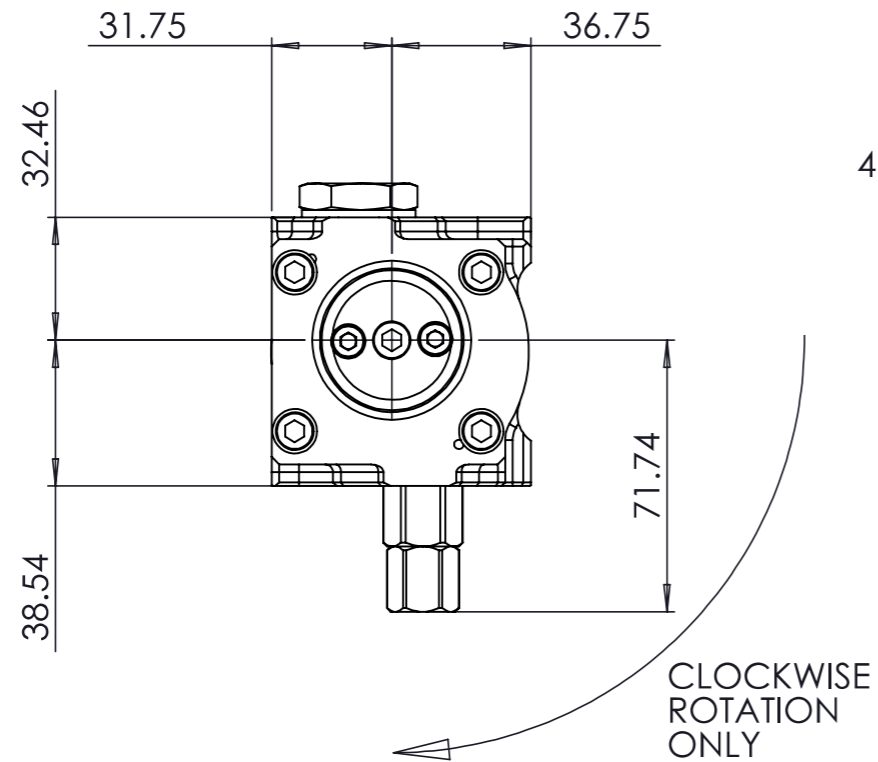


NOTES:

1. DISPLACEMENT PER REVOLUTION PER STAGE = 14.3 CC/REV
2. DISPLACEMENT AT 1000 RPM = 14.3 LT/MIN
3. PRV MINIMUM CRACKING PRESSURE = 52 PSI (3.58 BAR)
4. PRV MAXIMUM CRACKING PRESSURE = 146 PSI (10.0 BAR)
5. EACH FULL TURN OF THE PRV ADJUSTER THE CRACKING PRESSURE WILL INCREASE/DECREASE BY 4.3 PS (0.3 BAR)

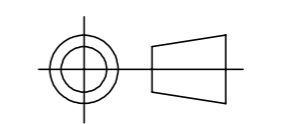
NOTE:
PUMP DISPLACEMENT IS FOR GUIDANCE ONLY AS EFFECIENCY IS INFUENCED BY MULTIPLE FACTORS



COPYRIGHT (c) 2013
AT POWER LTD
UNIT 9, CHESTNUT DRIVE, WYMONDHAM,
NORFOLK, UK, NR18 9SB

UNLESS OTHERWISE STATED:
DIMENSIONS IN MILLIMETRES
TOLERANCES: LINEAR ± 0.1 ANGULAR ± 0.5°
SURFACE FINISH ∇ = ∇
DRAWING STANDARDS TO ATQS 6003
DATE FORMAT: DD/MM/YY

THIS DESIGN IS THE PROPERTY OF
AT POWER THROTTLES LTD AND
MUST NOT BE REPRODUCED OR
COMMUNICATED WITHOUT
AUTHORITY



THIRD ANGLE PROJECTION

SCALE 1:2 WEIGHT 3.2 kg

DRAWN- S.HOW

DATE - 22/04/20

CHECKED - S.HOW

APPROVED - A.CLIFTON

MATERIAL	SEE COMPONENT PARTS
FINISH	SEE COMPONENT PARTS
DRAWING TITLE	4 STAGE CORDIS-PRESSURE PUMP-SHORT NOSE-14.3 Lt
DRAWING NUMBER	104-103-00092