

8 7 6 5 4 3 2 1

F

F

E

E

D

D

C

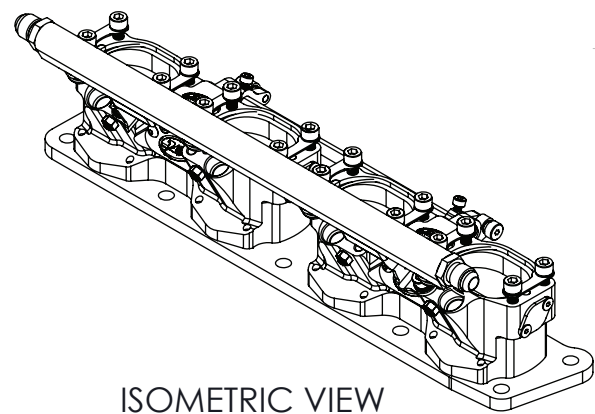
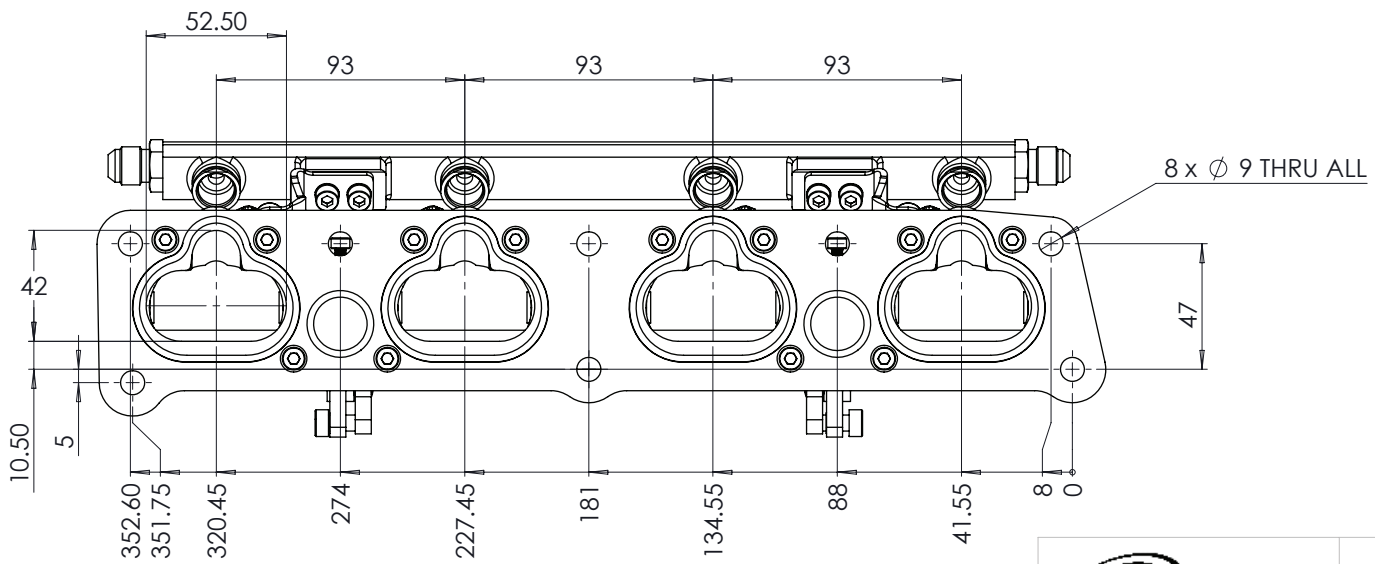
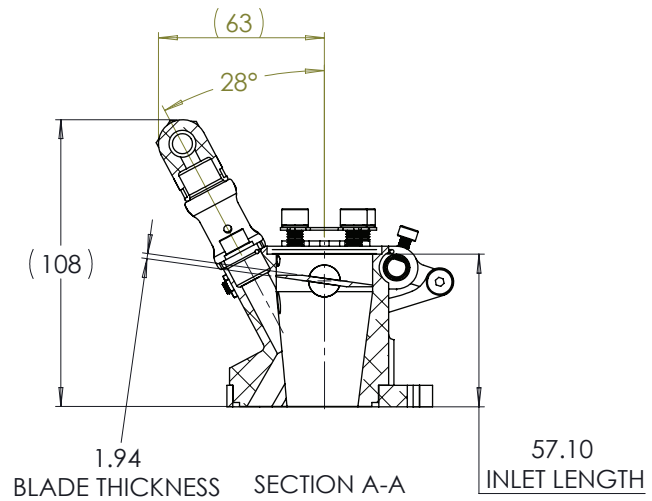
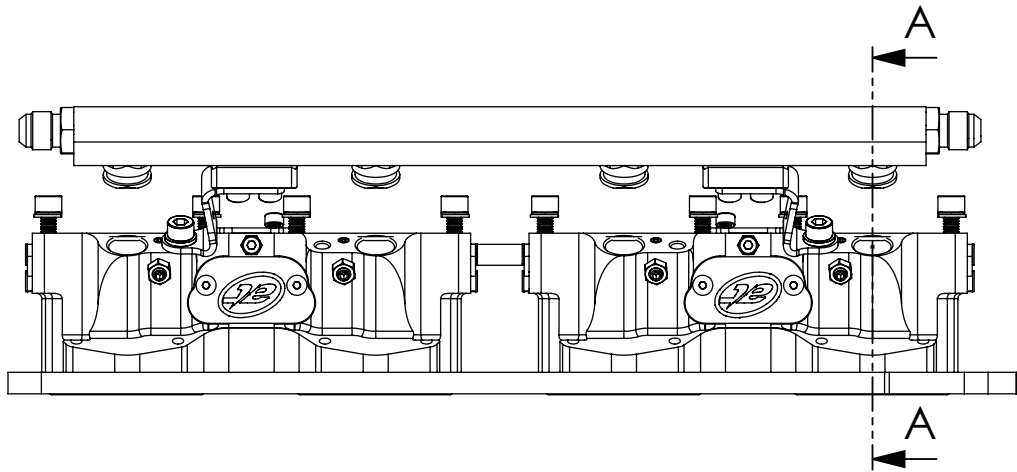
C

B

B

A

A



ISOMETRIC VIEW

NOTE:
 BLADE DIMENSIONS - 42 WIDE x 36 HIGH
 = 38mm EQUIVALENT OVAL

atpower

COPYRIGHT (c) 2013
 AT POWER LTD
 UNIT 9, CHESTNUT DRIVE, WYMONDHAM,
 NORFOLK, UK, NR18 9SB

UNLESS OTHERWISE STATED:
 DIMENSIONS IN MILLIMETRES
 TOLERANCES: LINEAR ± 0.1 ANGULAR ± 0.5°
 SURFACE FINISH ✓ = ✓
 DRAWING STANDARDS TO ATQS 6003
 DATE FORMAT: DD/MM/YY

THIS DESIGN IS THE PROPERTY OF
 AT POWER THROTTLES LTD AND
 MUST NOT BE REPRODUCED OR
 COMMUNICATED WITHOUT
 AUTHORITY

THIRD ANGLE PROJECTION

SCALE 1:2	WEIGHT 2.0 kg
DRAWN- S.HOW	DATE - 30/11/20
CHECKED - S.HOW	
APPROVED - A.CLIFTON	

CAD PLOT
DO NOT
SCALE

MATERIAL	SEE COMPONENT PARTS
FINISH	SEE COMPONENT PARTS
DRAWING TITLE	ASSY - HOUSING - TWIN - CITROEN/PEUGEOT - C2/206-GTI
DRAWING NUMBER	102-104-00066

8 7 6 5 4 3 2 1