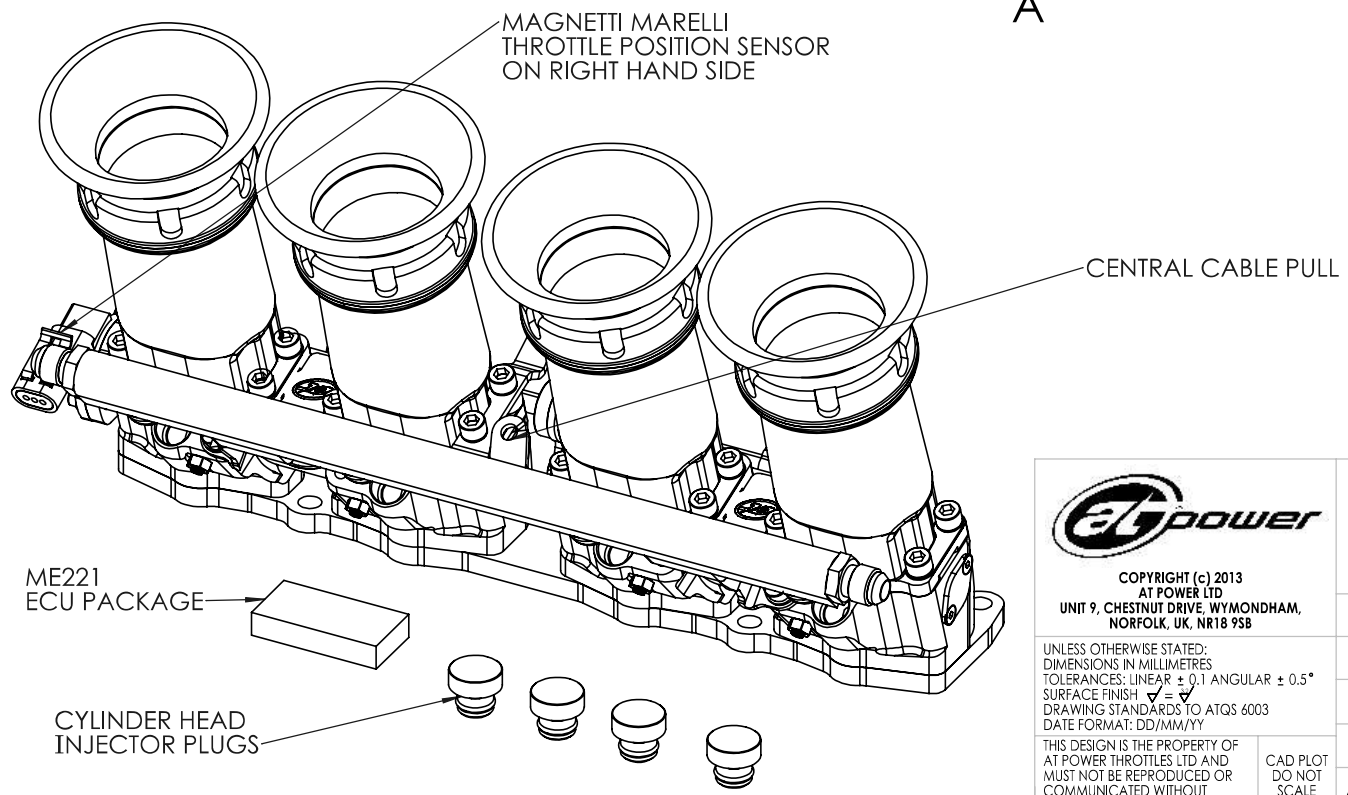


SECTION A-A



NOTE:
FOR HEAD FLANGE AND PORT DETAILS
REFER TO THE THROTTLE PACKAGE DRAWING
102-104-00088



**COPYRIGHT (c) 2013
AT POWER LTD
UNIT 9, CHESTNUT DRIVE, WYMONDHAM,
NORFOLK, UK, NR18 9SB**

THIRD ANGLE PROJECTION	
SCALE 1:2	WEIGHT 2907.637 kg
DRAWN- S.HOW	
DATE - 19/07/22	
CHECKED - S.HOW	
APPROVED - A.CLIFTON	

MATERIAL	SEE COMPONENT PARTS
FINISH	SEE COMPONENT PARTS
DRAWING TITLE	ASSY - DURATEC 2.0L - CABLE PULL - WITH ME221 ECU - PACKAGE
DRAWING NUMBER	102-102-00385

UNLESS OTHERWISE STATED:
DIMENSIONS IN MILLIMETRES
TOLERANCES: LINEAR ± 0.1 ANGULAR ± 0.5°
SURFACE FINISH √ = √
DRAWING STANDARDS TO ATQS 6003
DATE FORMAT: DD/MM/YY

THIS DESIGN IS THE PROPERTY OF
AT POWER THROTTLES LTD AND
MUST NOT BE REPRODUCED OR
COMMUNICATED WITHOUT
AUTHORITY

CAD PLOT
DO NOT
SCALE