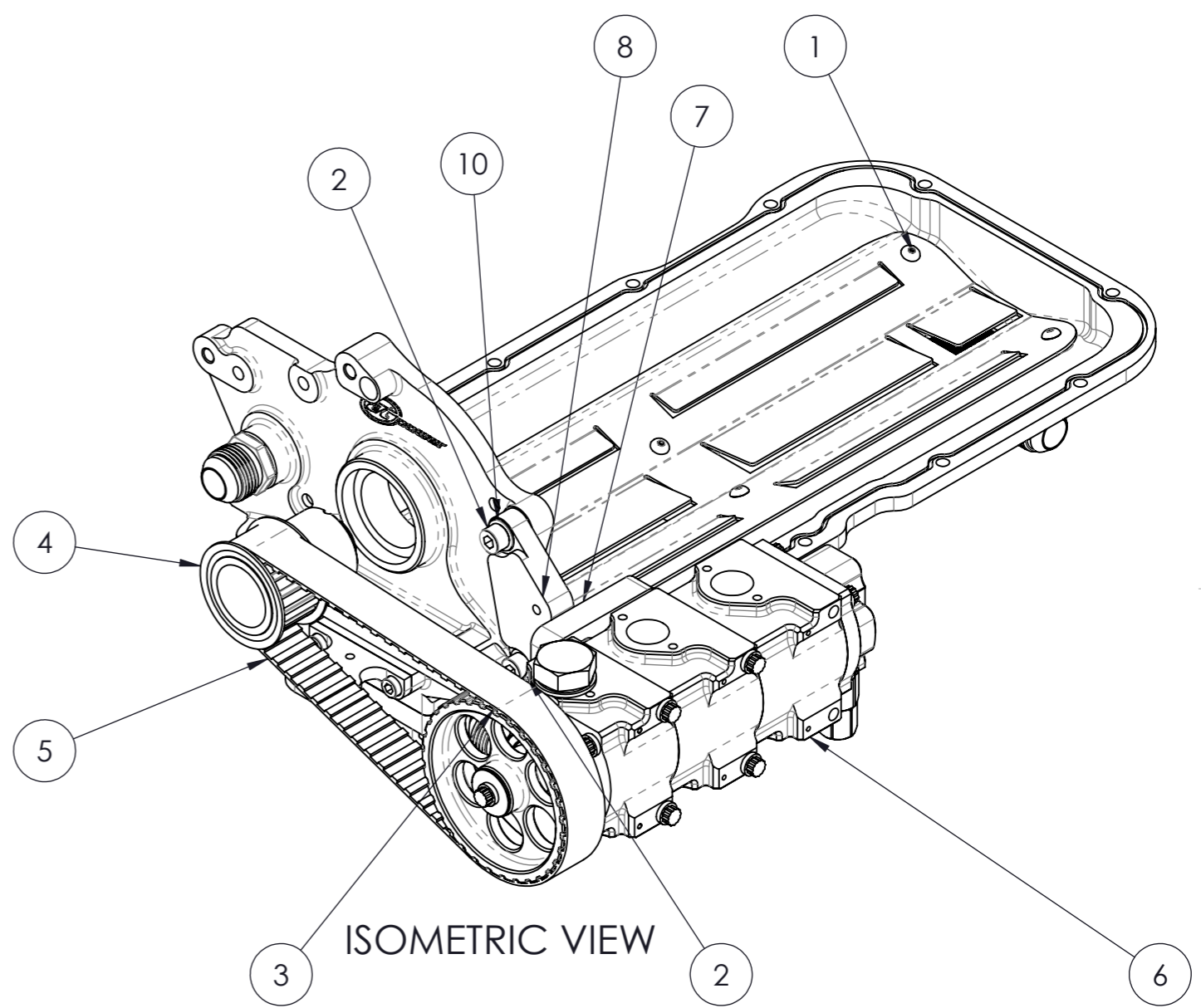

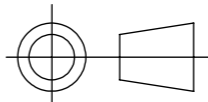


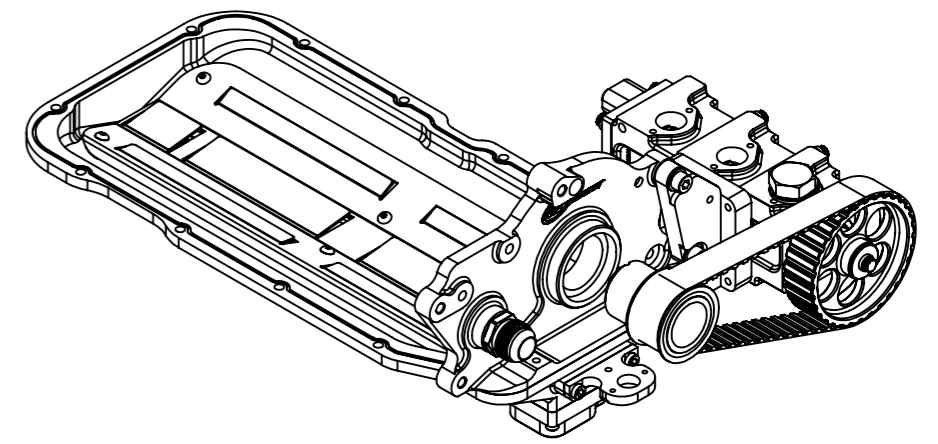
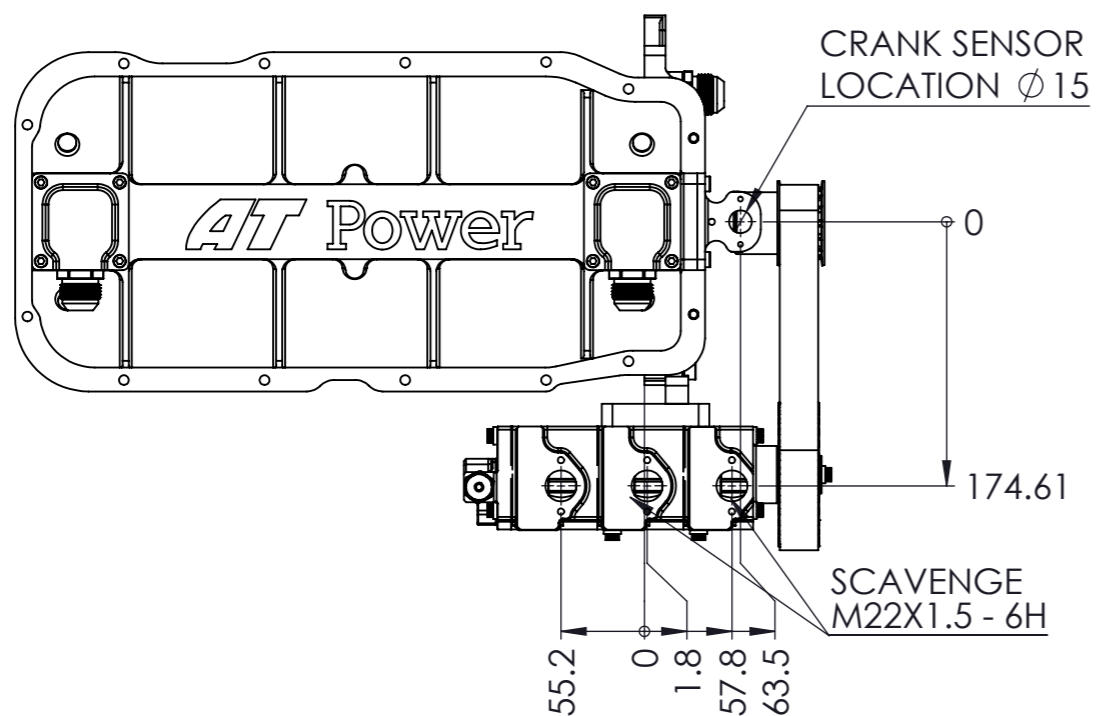
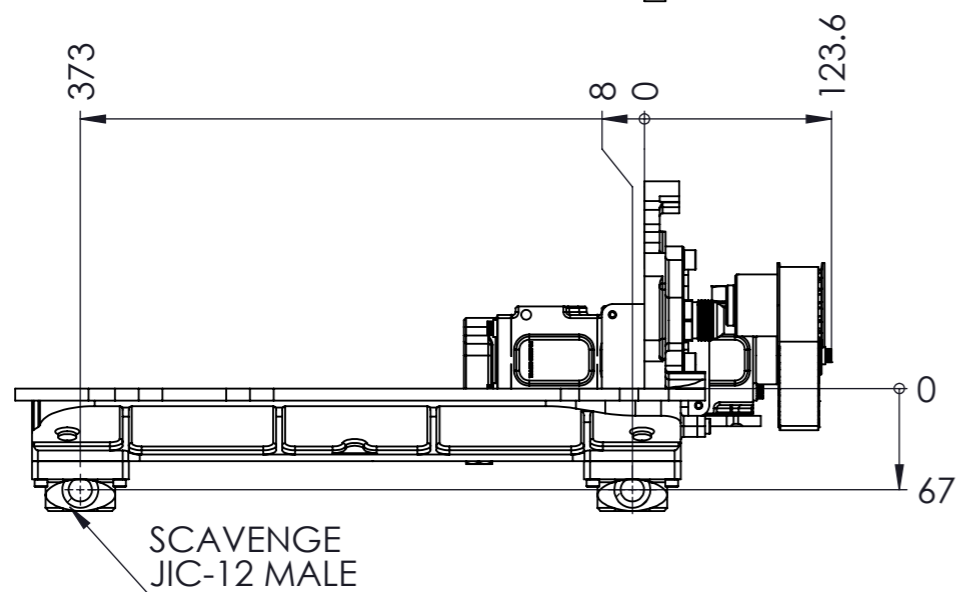
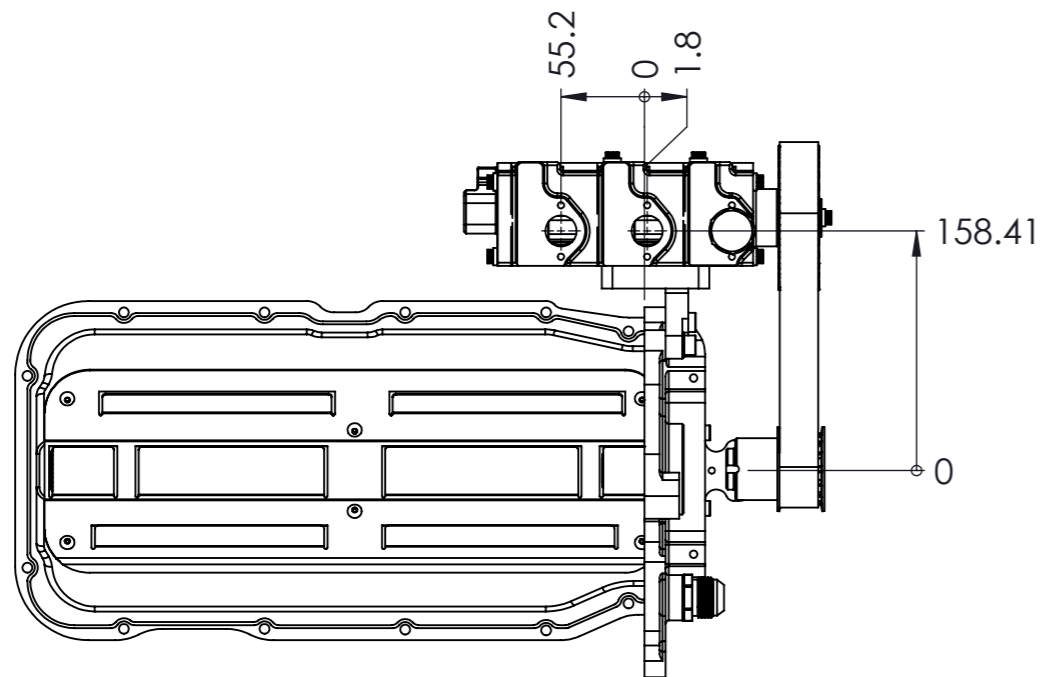
ITEM NO.	PART_DESC1	PART NUMBER	QTY.
1	ASSY - SUMP - VAUXHALL - X20XE - BILLET	103-102-00010	1
2	SCREW - SKT_HD - M8 x 25 - BZP	101-101-00093	2
3	PULLEY - PUMP - 32 TOOTH - 1" WIDE - 1/2" BORE	104-204-00009	1
4	ASSY - PULLEY - CRANK - 16 TOOTH - 1" BELT - VAUXHALL - X20XE	105-106-00004	1
5	BELT - L-SECTION - 225L100	101-108-00022	1
6	ASSY - PUMP-3 STAGE CORDIS - FLG FITTING - 25 WIDE - SHORT	104-103-00056	1
7	BRACKET - PUMP - XE2.0 DRY SUMP KIT	103-207-00006	1
8	BRACKET - PUMP EXHAUST SIDE - XE2.0 SUMP KIT	103-207-00008	1
9	SCREW - SKT_HD - M8 x 20 - BZP	101-101-00039	2
10	WASHER - FLAT - M8 x 16.7 x 0.95	101-103-00018	2
11	SCREW - ARP_HD - M6 x 80 - ARP	101-101-00020	4

ISSUE	DESCRIPTION	ECN	DRN	CHK	DATE
01	INITIAL RELEASE	A0---	MED	S.HOW	12/06/13
02	PUMP CHANGED TO NEW FLANGED PUMP	ECR-12497	S.HOW	A.CLIFTON	30/10/17
03	PUMP MOUNTING CHANGED TO FIXED ARRANGEMENT	ECR-12573	S.HOW	A.CLIFTON	04/12/17

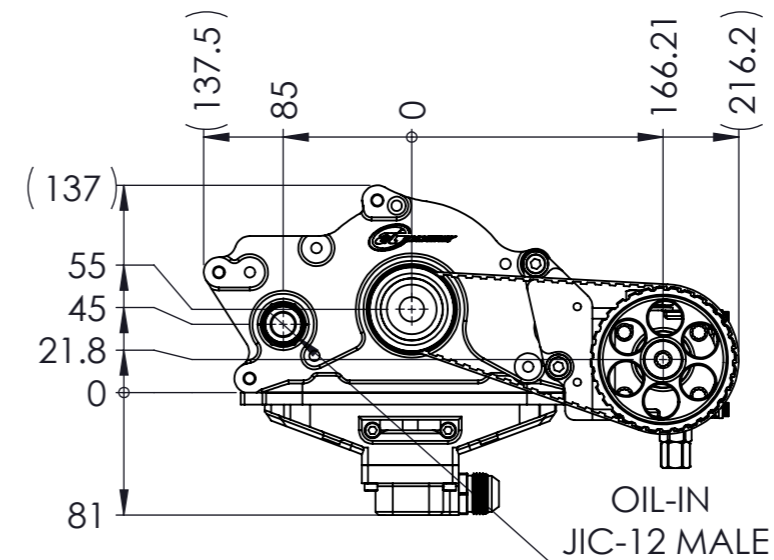


ISOMETRIC VIEW

 COPYRIGHT (c) 2013 AT POWER LTD UNIT 9, CHESTNUT DRIVE, WYMONDHAM, NORFOLK, UK, NR18 9SB	 THIRD ANGLE PROJECTION	MATERIAL	SEE COMPONENT PARTS
		FINISH	SEE COMPONENT PARTS
<small>UNLESS OTHERWISE STATED: DIMENSIONS IN MILLIMETRES TOLERANCES: LINEAR ± 0.1 ANGULAR ± 0.5° SURFACE FINISH √ = √ DRAWING STANDARDS TO ATQS 6003 DATE FORMAT: DD/MM/YY</small>	SCALE	1:5	DRAWING TITLE
	WEIGHT	6.4 kg	
	DRAWN-	S.HOW	
	DATE -	04/12/17	
	CHECKED -	S.HOW	
	APPROVED -	A.CLIFTON	
<small>THIS DESIGN IS THE PROPERTY OF AT POWER THROTILES LTD AND MUST NOT BE REPRODUCED OR COMMUNICATED WITHOUT AUTHORITY</small>	<small>CAD PLOT DO NOT SCALE</small>	DRAWING NUMBER	105-102-00002
			<small>SHEET 1 OF 2 A3</small>


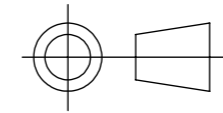


ISOMETRIC VIEW



NOTES:

1. DISPLACEMENT PER REVERLUTION PER STAGE = 14.3 CC/REV
2. DISPLACEMENT AT 1000 PUMP RPM = 14.3 LT/MIN
3. DRIVE RATIO - 16/32

 COPYRIGHT (c) 2013 AT POWER LTD UNIT 9, CHESTNUT DRIVE, WYMONDHAM, NORFOLK, UK, NR18 9SB	 THIRD ANGLE PROJECTION		MATERIAL	SEE COMPONENT PARTS
	SCALE 1:5	WEIGHT 6.4 kg	FINISH	SEE COMPONENT PARTS
UNLESS OTHERWISE STATED: DIMENSIONS IN MILLIMETRES TOLERANCES: LINEAR ± 0.1 ANGULAR ± 0.5° SURFACE FINISH √ = √ DRAWING STANDARDS TO ATQS 6003 DATE FORMAT: DD/MM/YY	DRAWN- S.HOW	DATE - 04/12/17	DRAWING TITLE	
THIS DESIGN IS THE PROPERTY OF AT POWER THROTTLES LTD AND MUST NOT BE REPRODUCED OR COMMUNICATED WITHOUT AUTHORITY	CHECKED - S.HOW	APPROVED - A.CLIFTON	ASSY - SUMP KIT - VAUXHALL - X20XE - MACHINED - 1" BELT - EXHAUST	
CAD PLOT DO NOT SCALE			DRAWING NUMBER	105-102-00002
			SHEET 2 OF 2 A3	