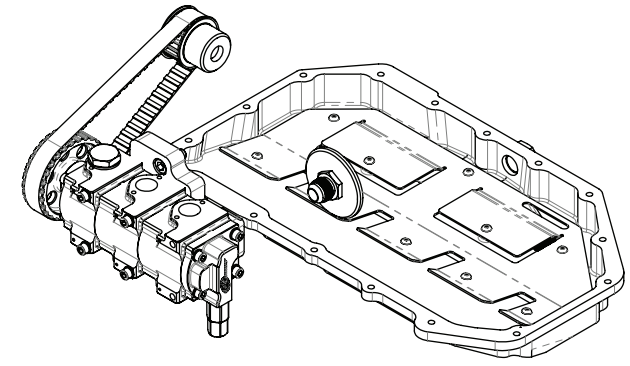
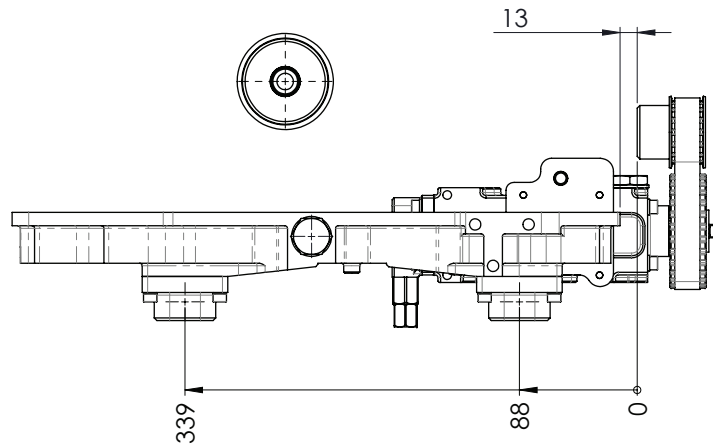
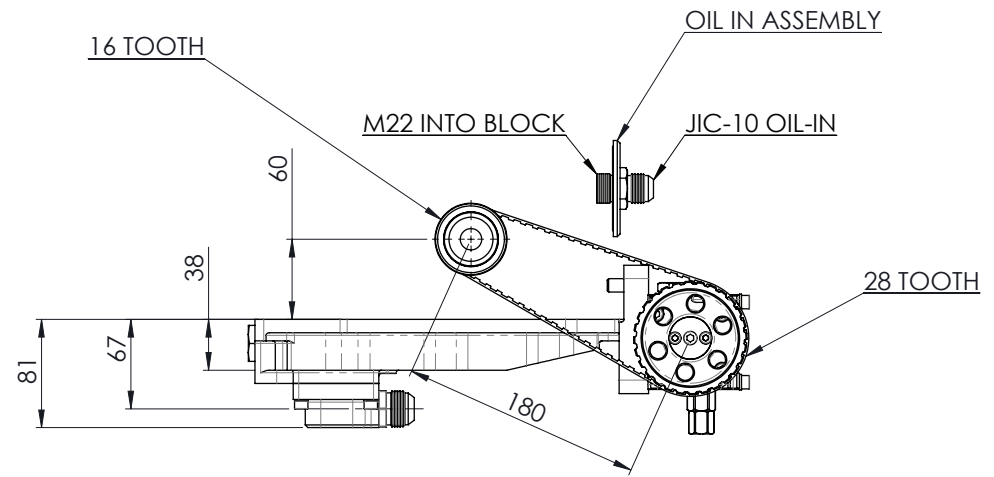


TURBO DRAIN  
M22 X 1.5 TAP IN PAN  
PLUG AND DOWTY WASHER SUPPLIED



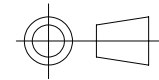
ISOMETRIC VIEW



COPYRIGHT (c) 2013  
AT POWER LTD  
UNIT 9, CHESTNUT DRIVE, WYMONDHAM,  
NORFOLK, UK, NR18 9SB

UNLESS OTHERWISE STATED:  
DIMENSIONS IN MILLIMETRES  
TOLERANCES: LINEAR ± 0.1 ANGULAR ± 0.5°  
SURFACE FINISH ✓ = ✓  
DRAWING STANDARDS TO ATQS 6003  
DATE FORMAT: DD/MM/YY

THIS DESIGN IS THE PROPERTY OF  
AT POWER THROTTLES LTD AND  
MUST NOT BE REPRODUCED OR  
COMMUNICATED WITHOUT  
AUTHORITY



THIRD ANGLE PROJECTION  
SCALE 1:4

WEIGHT 6.3 kg

DRAWN- S.HOW

DATE - 19/06/19

CHECKED - S.HOW

APPROVED - A.CLIFTON

CAD PLOT  
DO NOT  
SCALE

MATERIAL  
SEE COMPONENT PARTS

FINISH  
SEE COMPONENT PARTS

DRAWING TITLE  
ASSY - SUMP KIT - HONDA  
- K20 - 3/4" BELT - INTAKE

DRAWING NUMBER  
105-102-00014