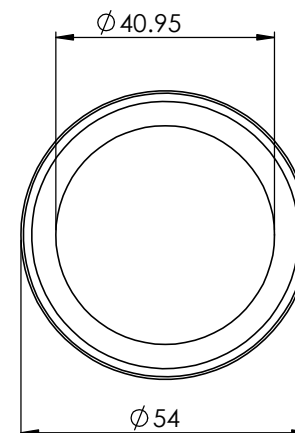
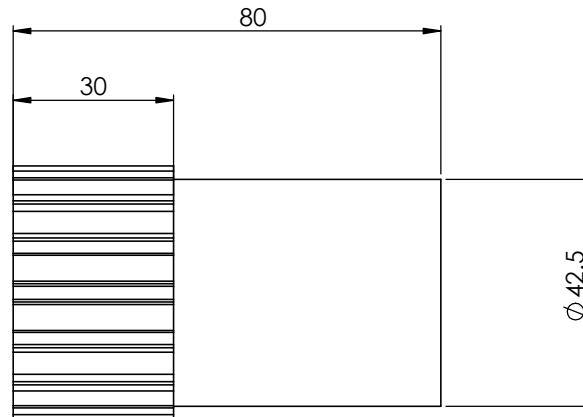
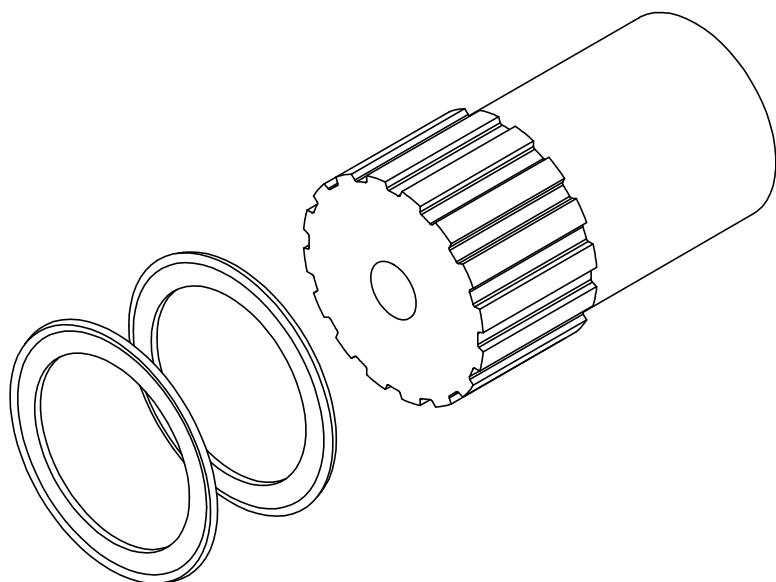

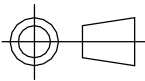


16 TOOTH GEAR BLANK FOR MACHINING



SIDE RINGS FOR TACK WELDING EITHER SIDE OF THE TOOTH FORM



 COPYRIGHT (c) 2013 AT POWER LTD UNIT 9, CHESTNUT DRIVE, WYMONDHAM, NORFOLK, UK, NR18 9SB	 THIRD ANGLE PROJECTION		MATERIAL SEE COMPONENT PARTS
	SCALE 1:1	WEIGHT 0.9 kg	FINISH NATURAL
UNLESS OTHERWISE STATED: DIMENSIONS IN MILLIMETRES TOLERANCES: LINEAR ± 0.1 ANGULAR $\pm 0.5^\circ$ SURFACE FINISH $\sqrt{\text{V}}$ = $\sqrt{\text{V}}$ DRAWING STANDARDS TO ATQS 6003 DATE FORMAT: DD/MM/YY	DRAWN- M.Davis	DRAWING TITLE ASSY - PULLEY - CRANK - 16 TOOTH - BLANK	
	DATE - 31/03/14	CHECKED - S.HOW	DRAWING NUMBER 105-106-00008
THIS DESIGN IS THE PROPERTY OF AT POWER THROTTLES LTD AND MUST NOT BE REPRODUCED OR COMMUNICATED WITHOUT AUTHORITY	CAD PLOT DO NOT SCALE	APPROVED - S.HOW	SHEET 2 OF 2 A3