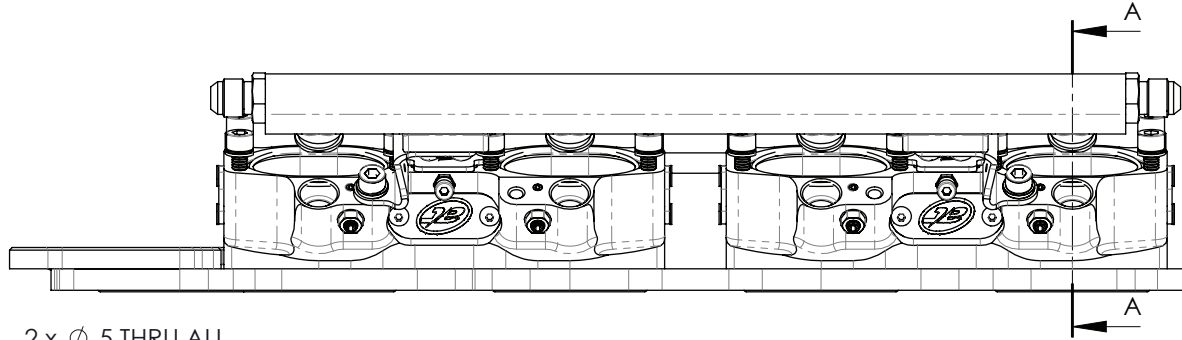


NOTE:

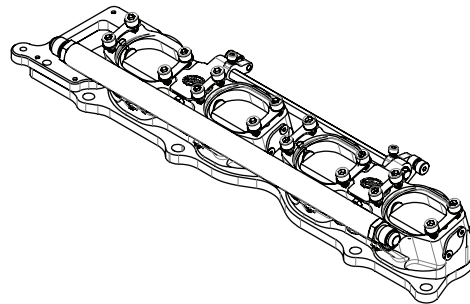
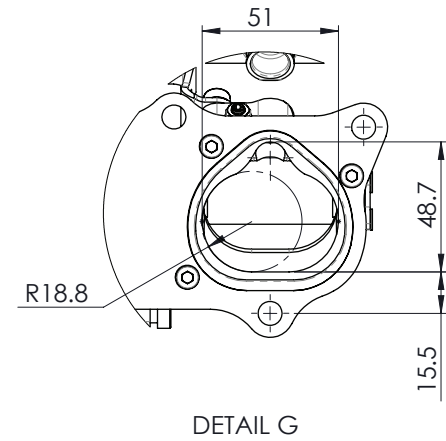
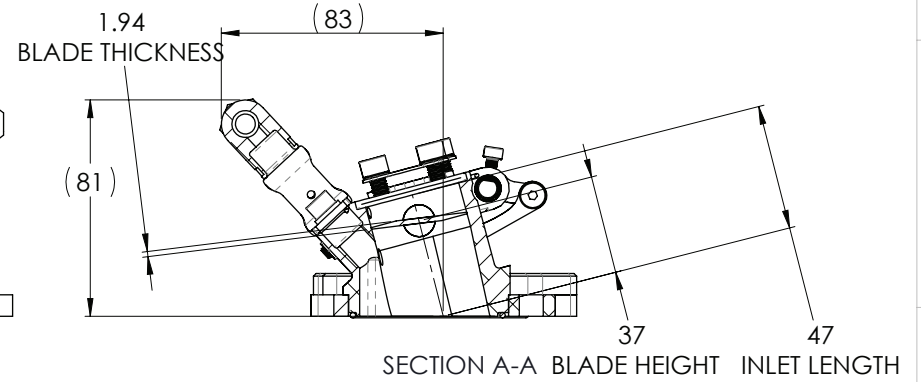
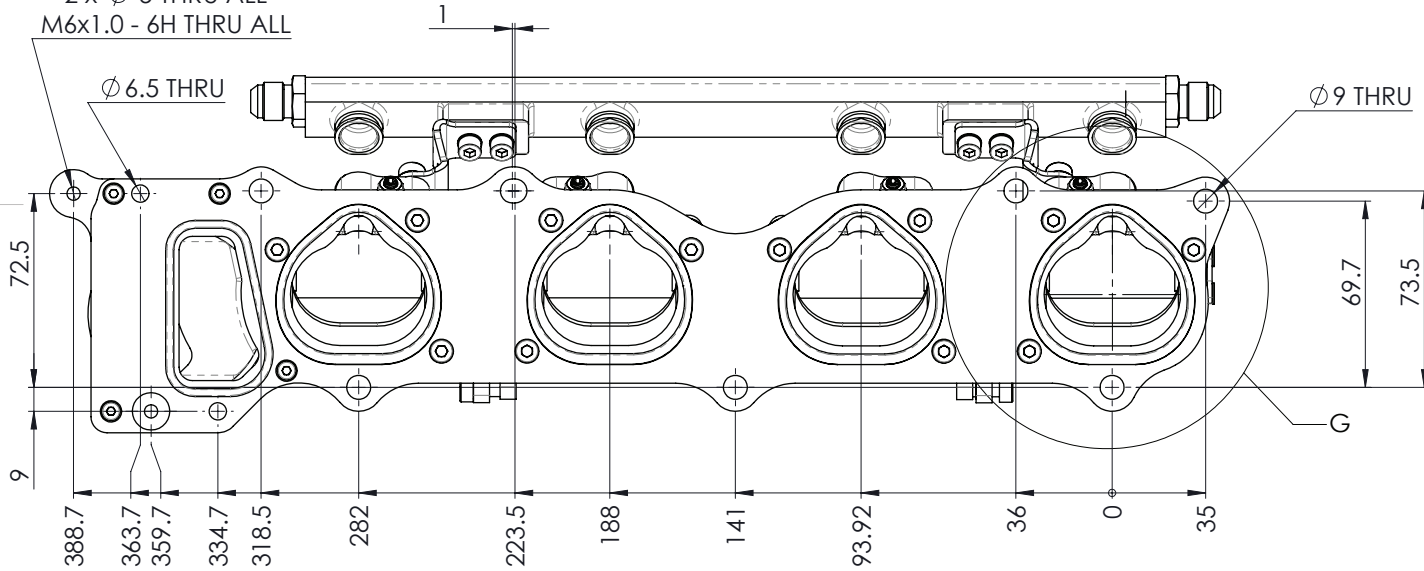
BLADE DIMENSIONS - 50 WIDE x 36 HIGH  
 =  $\varnothing 45$ mm EQUIVALENT OVAL



2 x  $\varnothing 5$  THRU ALL  
 M6x1.0 - 6H THRU ALL

$\varnothing 6.5$  THRU

$\varnothing 9$  THRU

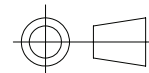


COPYRIGHT (c) 2013  
 AT POWER LTD  
 UNIT 9, CHESTNUT DRIVE, WYMONDHAM,  
 NORFOLK, UK, NR18 9SB

UNLESS OTHERWISE STATED:  
 DIMENSIONS IN MILLIMETRES  
 TOLERANCES: LINEAR  $\pm 0.1$  ANGULAR  $\pm 0.5^\circ$   
 SURFACE FINISH  $\sqrt{\quad} = \sqrt{\quad}$   
 DRAWING STANDARDS TO ATQS 6003  
 DATE FORMAT: DD/MM/YY

THIS DESIGN IS THE PROPERTY OF  
 AT POWER THROTTLES LTD AND  
 MUST NOT BE REPRODUCED OR  
 COMMUNICATED WITHOUT  
 AUTHORITY

CAD PLOT  
 DO NOT  
 SCALE



THIRD ANGLE PROJECTION

SCALE 1:2 WEIGHT 2.0 kg

DRAWN- S.HOW

DATE - 20/05/20

CHECKED - S.HOW

APPROVED - A.CLIFTON

MATERIAL

SEE COMPONENT PARTS

FINISH

SEE COMPONENT PARTS

DRAWING TITLE

ASSY - HOUSING - TWIN -  
 HONDA - K20 - DC5- STD  
 PORT

DRAWING NUMBER

102-104-00019