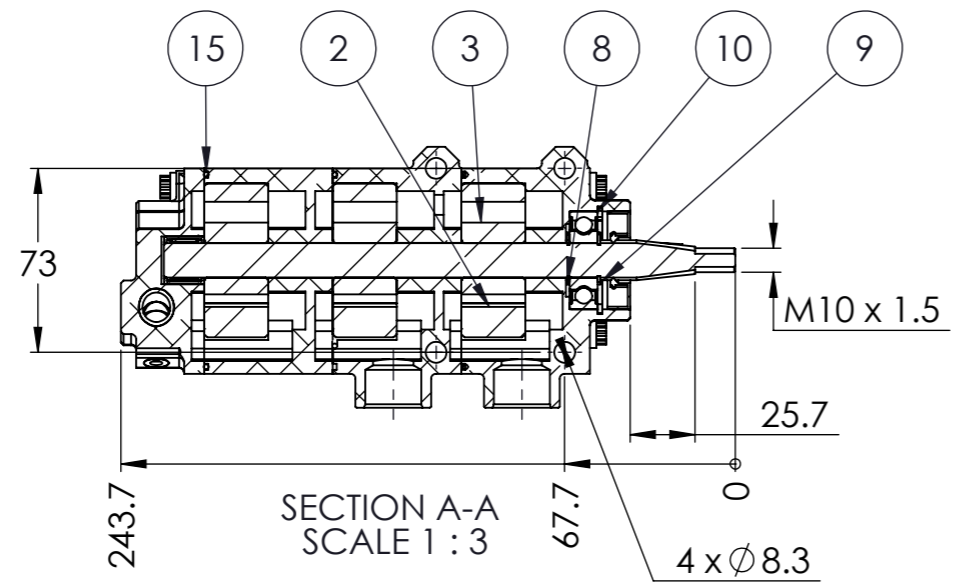
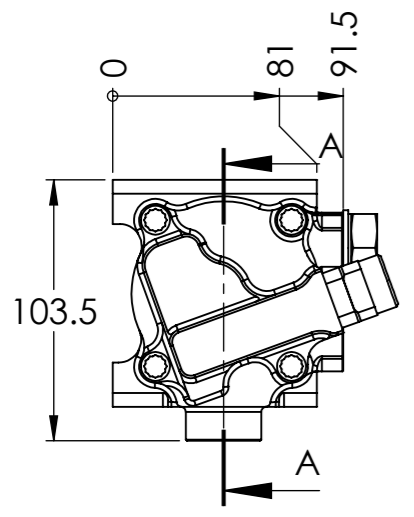
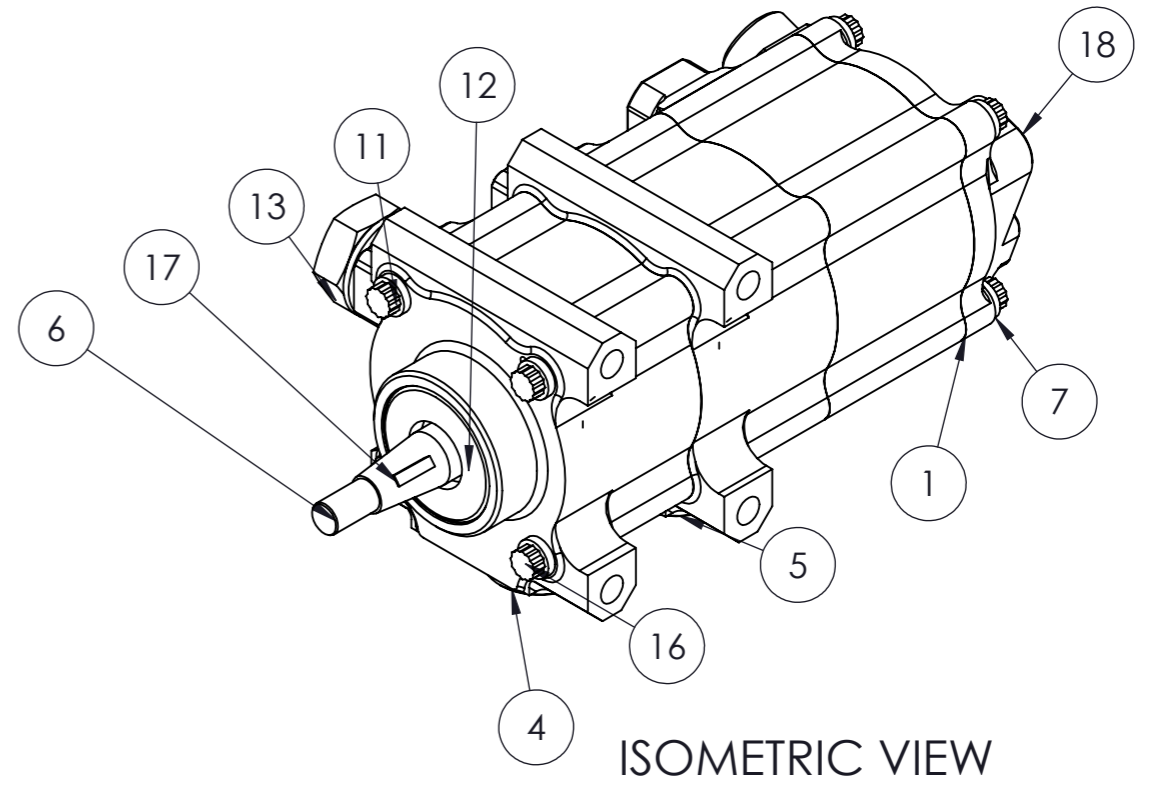


ITEM NO.	PART_DESC1	PART NUMBER	QTY.
1	HOUSING - PUMP - METRO - 6R4 - STAGE 3	104-200-00021	1
2	ROTOR - OUTER - 5-LOBE - MAGNA CORDIS - 25.4 LG	104-202-00010	3
3	ROTOR - INNER - 4-LOBE - MAGNA CORDIS - 25.4 LG	104-202-00011	3
4	HOUSING - PUMP - METRO - 6R4 - STAGE 1	104-200-00019	1
5	HOUSING - PUMP - METRO - 6R4 - STAGE 2	104-200-00020	1
6	SHAFT - PUMP - METRO - 6R4	104-201-00023	1
7	SCREW - ARP_HD - M6 x 80 - ARP	101-101-00020	4
8	CIRCLIP - EXTERNAL - Ø16MM	101-104-00018	2
9	CIRCLIP - INTERNAL - Ø40MM	101-104-00019	1
10	BEARING - SKF - 5/8" - RLS 5	101-113-00077	1
11	SEAL - DOWTY - M22	101-116-00019	1
12	SEAL - LIP - SINGLE - METAL CAGE - 5/8" ID x 1-9/16" OD x 3/8" - R4	101-116-00025	1
13	FITTING - BLANKING PLUG - M22 x 1.5	101-117-00002	1
14	KEYWAY - PARALLEL - IMPERIAL - 3/16" x 3/16" x 3/4" LG	101-119-00004	3
15	O-RING - 72 ID x 2.0 DIA	101-105-00027	3
16	SCREW - ARP_HD - M6 x 65 - ARP	101-101-00108	4
17	KEYWAY - WOODRUFF - IMPERIAL - 1/8" x 1/2" DIA	101-119-00005	1
18	ASSY - PRV - METRO - 6R4 - Ø14	104-107-00017	1

ISSUE	DESCRIPTION	ECN	DRN	CHK	DATE
02	ROTOR TOLERANCE CONTROLLED	A0598	MED	S.HOW	06/10/14
03	HOUSING - PRV -14 DIA - METRO - 6R4	A0725	S.HOW	MED	18/03/15
04	PRV HOUSING CHANGED	A0765	S.HOW	MED	27/07/15

NOTES:

- PART TO BE FREE FROM BURRS AND SHARP EDGES.
- PART TO BE CLEAN AND FREE FROM CONTAMINATION.
- OUTLINE DRAWING SUPPORTED BY SOLIDWORKS DATA.
- DETAILS NOT GIVEN TO BE FIT FOR PURPOSE.
- DISPLACEMENT PER REVOLUTION PER STAGE = 22 CC/REV
- DISPLACEMENT AT 1000 RPM = 22 L/MIN



at power

COPYRIGHT (c) 2013
AT POWER LTD
UNIT 9, CHESTNUT DRIVE, WYMONDHAM,
NORFOLK, UK, NR18 9SB

UNLESS OTHERWISE STATED:
DIMENSIONS IN MILLIMETRES
TOLERANCES: LINEAR ± 0.1 ANGULAR ± 0.5°
SURFACE FINISH √ = √
DRAWING STANDARDS TO ATQS 6003
DATE FORMAT: DD/MM/YY

THIS DESIGN IS THE PROPERTY OF
ACTIVE TECHNOLOGIES LTD AND
MUST NOT BE REPRODUCED OR
COMMUNICATED WITHOUT
AUTHORITY

THIRD ANGLE PROJECTION

SCALE 1:2 WEIGHT 3.3 kg

DRAWN- S.HOW

DATE - 27/07/15

CHECKED - M.DAVIS

APPROVED - A.CLIFTON

CAD PLOT
DO NOT
SCALE

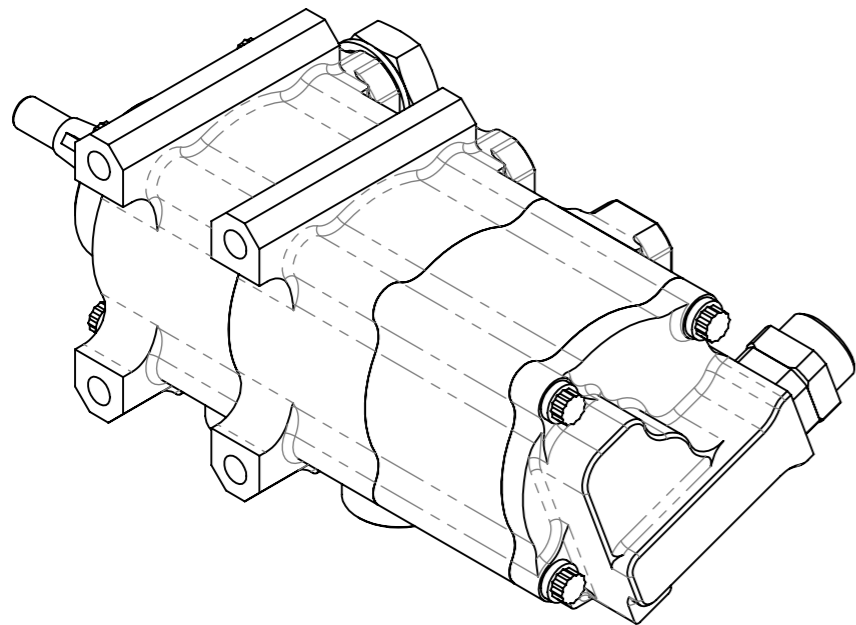
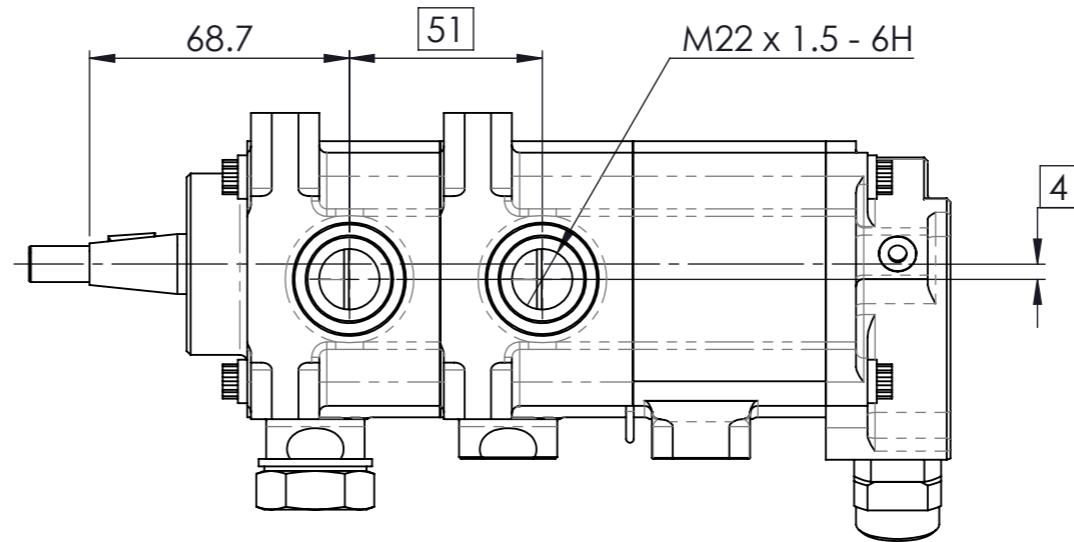
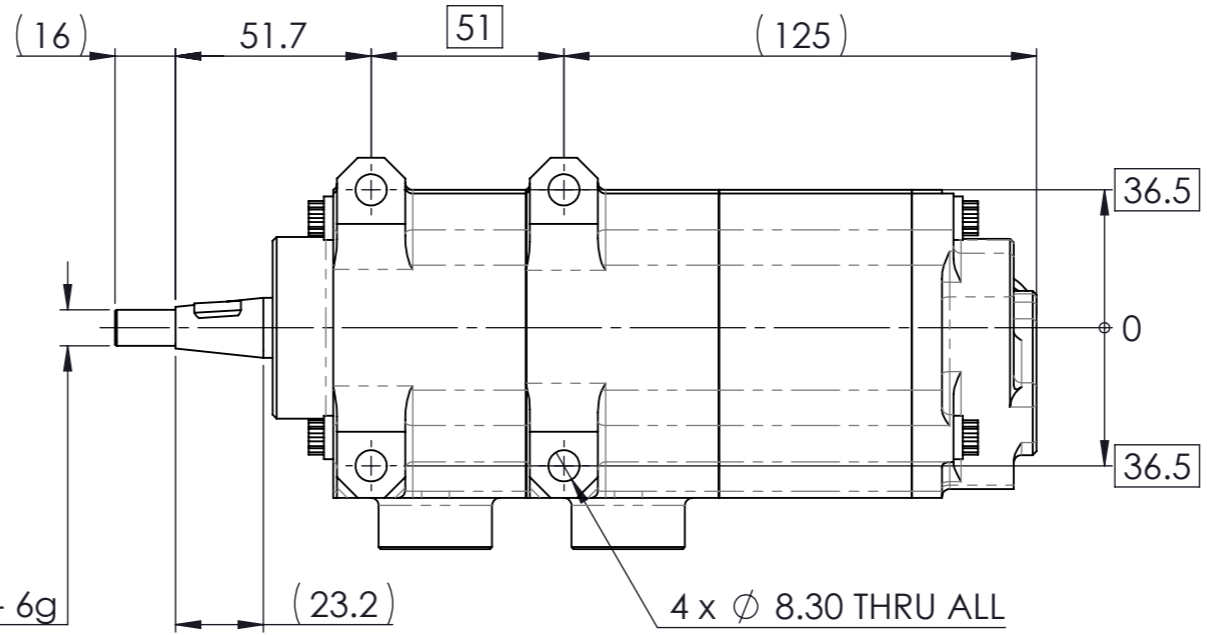
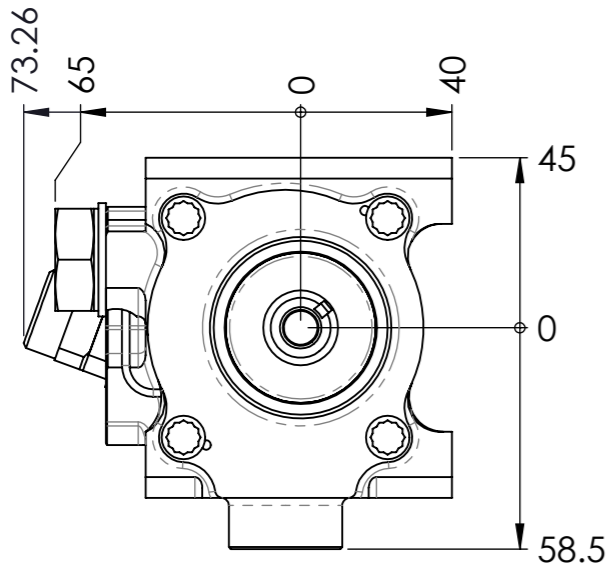
MATERIAL
SEE COMPONENT PARTS

FINISH
SEE COMPONENT PARTS

DRAWING TITLE
ASSY - PUMP - METRO - 6R4

DRAWING NUMBER
104-103-00001


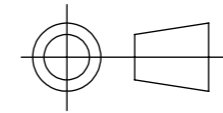
SHEET 1 OF 2 A3



ISOMETRIC VIEW

NOTES:

1. DISPLACEMENT PER REVOLUTION PER STAGE = 22 CC/REV
2. DISPLACEMENT AT 1000 RPM = 22 L/MIN

 COPYRIGHT (c) 2013 AT POWER LTD UNIT 9, CHESTNUT DRIVE, WYMONDHAM, NORFOLK, UK, NR18 9SB	 THIRD ANGLE PROJECTION	MATERIAL	SEE COMPONENT PARTS
		FINISH	SEE COMPONENT PARTS
UNLESS OTHERWISE STATED: DIMENSIONS IN MILLIMETRES TOLERANCES: LINEAR ± 0.1 ANGULAR ± 0.5° SURFACE FINISH √ = √ DRAWING STANDARDS TO ATQS 6003 DATE FORMAT: DD/MM/YY THIS DESIGN IS THE PROPERTY OF ACTIVE TECHNOLOGIES LTD AND MUST NOT BE REPRODUCED OR COMMUNICATED WITHOUT AUTHORITY	SCALE	WEIGHT	DRAWING TITLE ASSY - PUMP - METRO - 6R4
	1:2	3.3 kg	
	DRAWN - S.HOW	DATE - 27/07/15	
CAD PLOT DO NOT SCALE	CHECKED - M.DAVIS	DRAWING NUMBER	104-103-00001
APPROVED - A.CLIFTON			