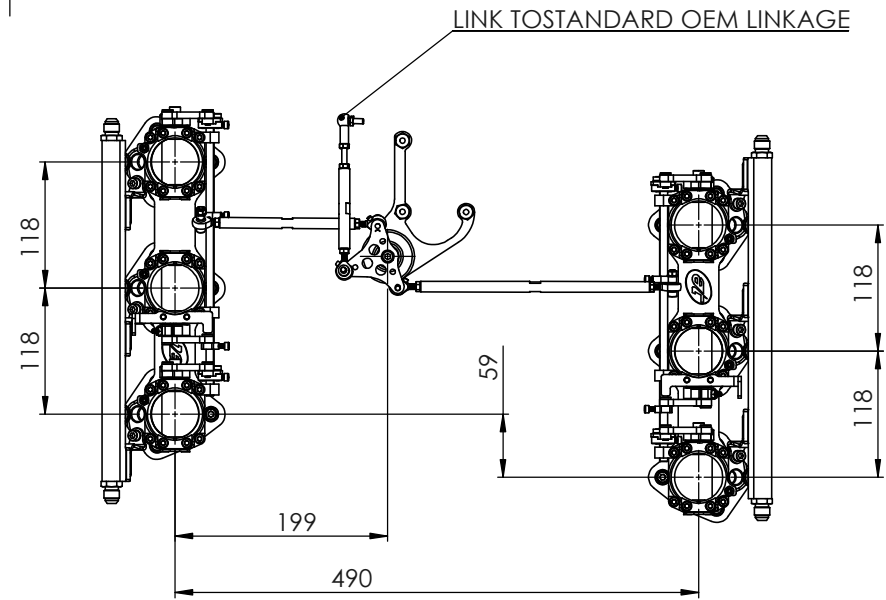
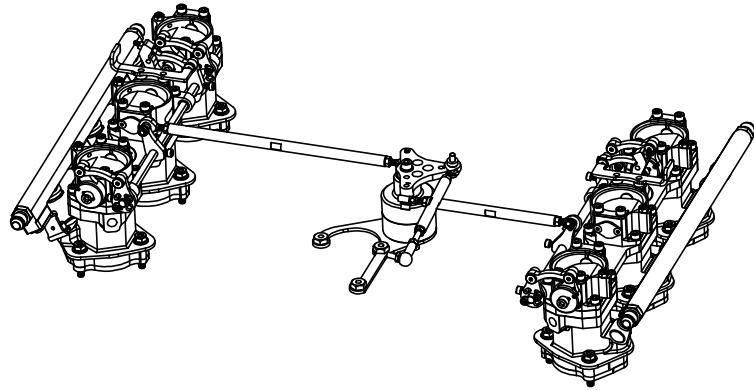


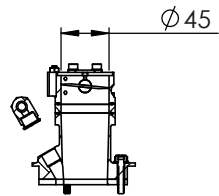
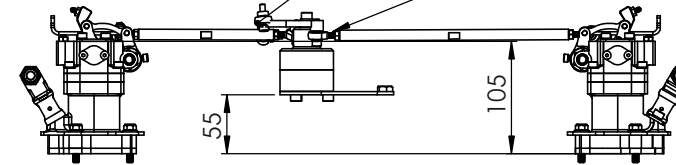
45MM DIAMETER SHAFTLESS THROTTLES TO 42MM DIAMETER AT HEAD FACE



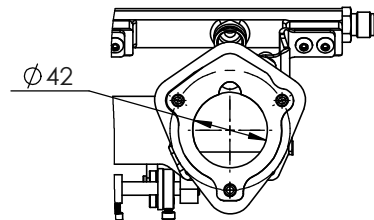
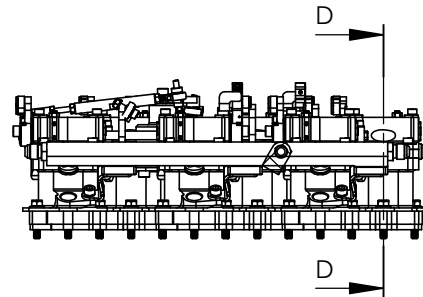
LINK TO STANDARD OEM LINKAGE

OEM LINK ARM BOLTED TO TOP OF CENTRE SPINDLE


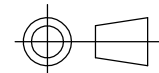
THROTTLE LINKAGE FIXED TO UNDERSIDE OF CENTRE SPINDLE



SECTION D-D
SCALE 1 : 5



MOUNTING PROFILE

 COPYRIGHT (c) 2013 AT POWER LTD UNIT 9, CHESTNUT DRIVE, WYMONDHAM, NORFOLK, UK, NR18 9SB	 THIRD ANGLE PROJECTION		MATERIAL SEE COMPONENT PARTS
	SCALE 1:10	WEIGHT 4.8 kg	FINISH SEE COMPONENT PARTS
UNLESS OTHERWISE STATED: DIMENSIONS IN MILLIMETRES TOLERANCES: LINEAR ± 0.1 ANGULAR ± 0.5° SURFACE FINISH √ = √ DRAWING STANDARDS TO ATQS 6003 DATE FORMAT: DD/MM/YY	DRAWN- S.HOW	DRAWING TITLE ASSY - PORSCHE - 993 - 45MM 3 HOLE MOUNT 42MM BORE	
THIS DESIGN IS THE PROPERTY OF AT POWER THROTTLES LTD AND MUST NOT BE REPRODUCED OR COMMUNICATED WITHOUT AUTHORITY	DATE - 19/09/18	CHECKED - S.HOW	DRAWING NUMBER 102-102-00058
	CAD PLOT DO NOT SCALE	APPROVED - S.HOW	