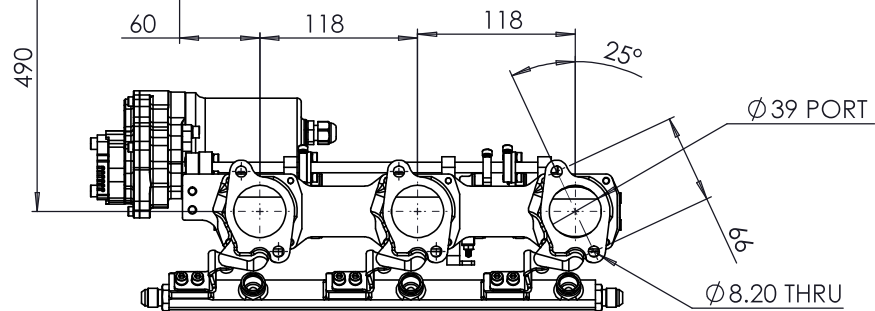
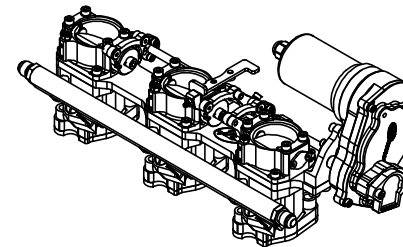
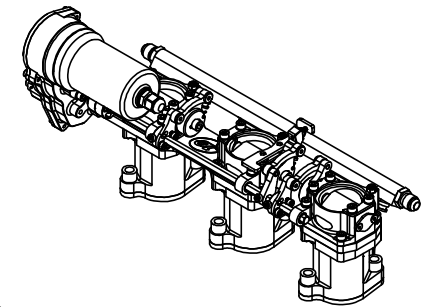
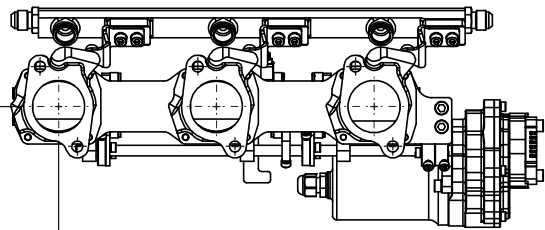


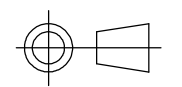
SECTION A-A



COPYRIGHT (c) 2013
 AT POWER LTD
 UNIT 9, CHESTNUT DRIVE, WYMONDHAM,
 NORFOLK, UK, NR18 9SB

UNLESS OTHERWISE STATED:
 DIMENSIONS IN MILLIMETRES
 TOLERANCES: LINEAR ± 0.1 ANGULAR ± 0.5°
 SURFACE FINISH ✓ = ✓
 DRAWING STANDARDS TO ATQS 6003
 DATE FORMAT: DD/MM/YY

THIS DESIGN IS THE PROPERTY OF
 AT POWER THROTTLES LTD AND
 MUST NOT BE REPRODUCED OR
 COMMUNICATED WITHOUT
 AUTHORITY



THIRD ANGLE PROJECTION

SCALE 1:4 WEIGHT 6.1 kg

DRAWN- S.HOW

DATE- 06/02/20

CHECKED - S.HOW

APPROVED - A.CLIFTON

MATERIAL
 SEE COMPONENT PARTS

FINISH
 SEE COMPONENT PARTS

DRAWING TITLE
 ASSY - PORSCHE - 911 3.0L
 SC - 42MM TO 39MM PORT -
 2 HOLE MOUNT - DBW

DRAWING NUMBER
 102-102-00206