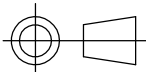
 COPYRIGHT (c) 2013 AT POWER LTD UNIT 9, CHESTNUT DRIVE, WYMONDHAM, NORFOLK, UK, NR18 9SB	 THIRD ANGLE PROJECTION		MATERIAL
	SCALE 1:2	WEIGHT 3.2 kg	SEE COMPONENT PARTS
UNLESS OTHERWISE STATED: DIMENSIONS IN MILLIMETRES TOLERANCES: LINEAR ± 0.1 ANGULAR ± 0.5° SURFACE FINISH √ = √ DRAWING STANDARDS TO ATQS 6003 DATE FORMAT: DD/MM/YY	DRAWN- M.DAVIS	DRAWING TITLE	ASSY - HOUSING - UNIVERSAL - HONDA - K20 - FD2 - 55MM - PORTED
	DATE - 04/08/15	CHECKED - S.HOW	
THIS DESIGN IS THE PROPERTY OF AT POWER THROTTLES LTD AND MUST NOT BE REPRODUCED OR COMMUNICATED WITHOUT AUTHORITY	CAD PLOT DO NOT SCALE	APPROVED - A.CLIFTON	102-109-00011 SHEET 2 OF 2 A3