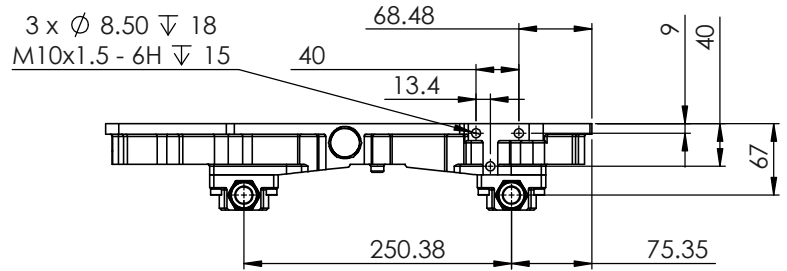
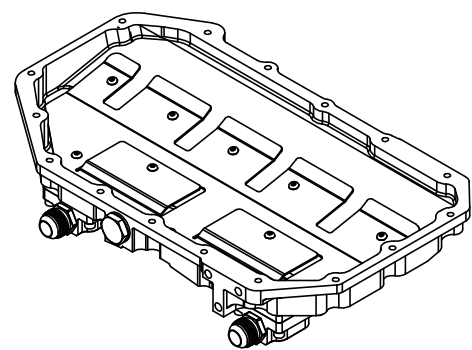
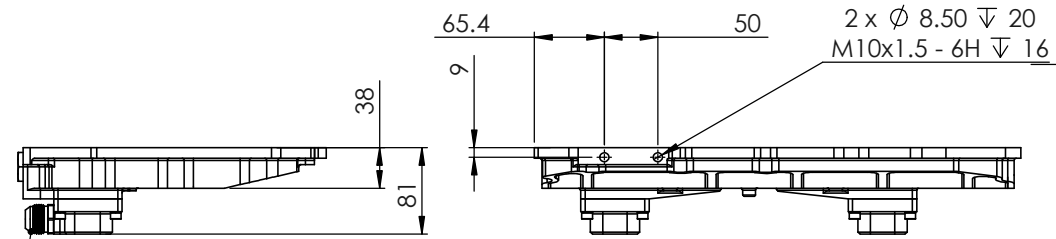
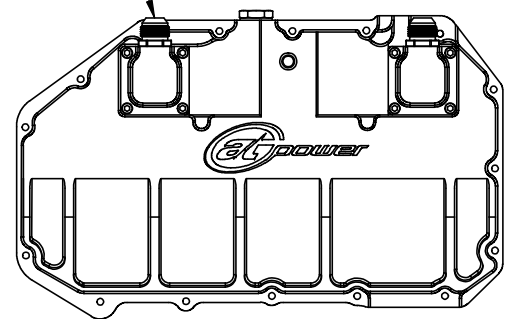


TURBO DRAIN  
M22 X 1.5  
SUPPLIED WITH PLUG AND DOWTY WASHER


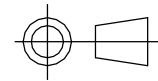


OUTLET TURRETS CAN BE  
ROTATED AT 90 DEGREE  
INTERVALS



JIC-12 FITTINGS

FOR K24 A 25MM SPACER (103-205-00025)  
IS REQUIRED BETWEEN PAN AND BLOCK

 COPYRIGHT (c) 2013 AT POWER LTD UNIT 9, CHESTNUT DRIVE, WYMONDHAM, NORFOLK, UK, NR18 9SB	 THIRD ANGLE PROJECTION		MATERIAL	SEE COMPONENT PARTS
	SCALE 1:2	WEIGHT 2.8 kg	FINISH	SEE COMPONENT PARTS
UNLESS OTHERWISE STATED: DIMENSIONS IN MILLIMETRES TOLERANCES: LINEAR ± 0.1 ANGULAR ± 0.5° SURFACE FINISH ∇ = ∇ DRAWING STANDARDS TO ATQS 6003 DATE FORMAT: DD/MM/YY	DRAWN- S.HOW	DATE - 20/08/19	DRAWING TITLE	
THIS DESIGN IS THE PROPERTY OF AT POWER THROTTLES LTD AND MUST NOT BE REPRODUCED OR COMMUNICATED WITHOUT AUTHORITY	CAD PLOT DO NOT SCALE	CHECKED - S.HOW	ASSY - SUMP - HONDA - K20	
		APPROVED - S.HOW	DRAWING NUMBER	
			103-102-00005	