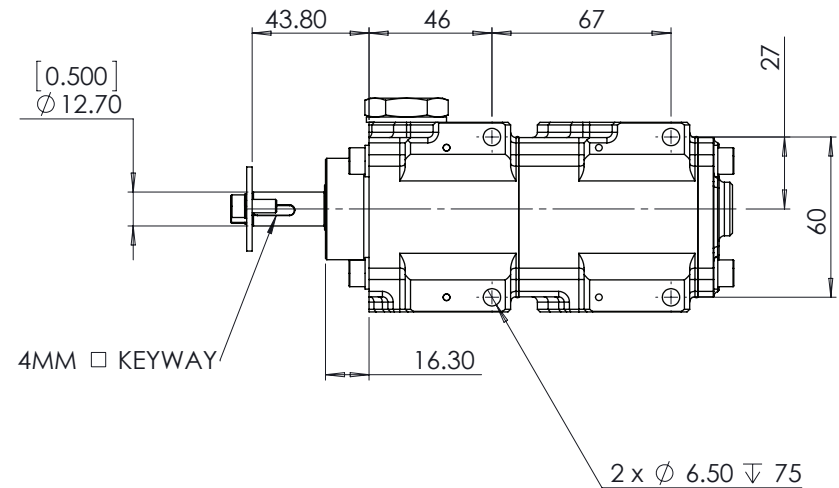
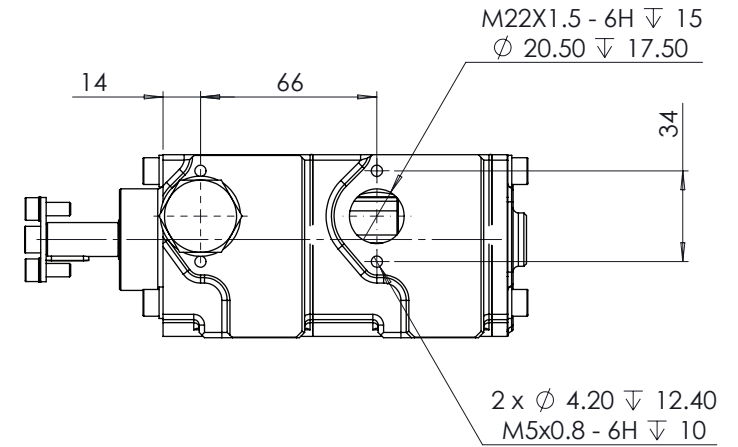
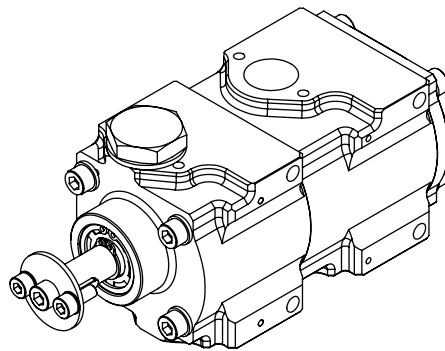
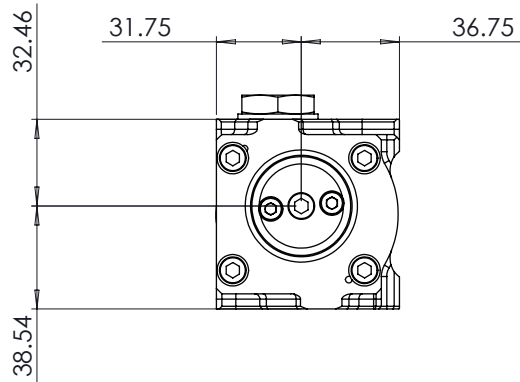

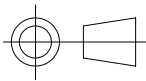


NOTES:

1. DISPLACEMENT PER REVERLUTION PER STAGE = 20.1 CC/REV
2. DISPLACEMENT AT 1000 RPM = 20.1 LT/MIN



 COPYRIGHT (c) 2013 AT POWER LTD UNIT 9, CHESTNUT DRIVE, WYMONDHAM, NORFOLK, UK, NR18 9SB	 THIRD ANGLE PROJECTION		MATERIAL
	SCALE 1:2	WEIGHT 1.9 kg	SEE COMPONENT PARTS
UNLESS OTHERWISE STATED: DIMENSIONS IN MILLIMETRES TOLERANCES: LINEAR ± 0.1 ANGULAR ± 0.5° SURFACE FINISH ∇ = ∇ DRAWING STANDARDS TO ATQS 6003 DATE FORMAT: DD/MM/YY THIS DESIGN IS THE PROPERTY OF AT POWER THROTTLES LTD AND MUST NOT BE REPRODUCED OR COMMUNICATED WITHOUT AUTHORITY	DRAWN- S.HOW	FINISH	
	DATE - 17/06/19	SEE COMPONENT PARTS	
	CHECKED - S.HOW	DRAWING TITLE	
APPROVED - A.CLIFTON	CAD PLOT DO NOT SCALE	2 STAGE CORDIS-SCAVENGE PUMP-SHORT NOSE-20.1 Lt	
		DRAWING NUMBER	
		104-103-00081	SHEET 2 OF 2 A3