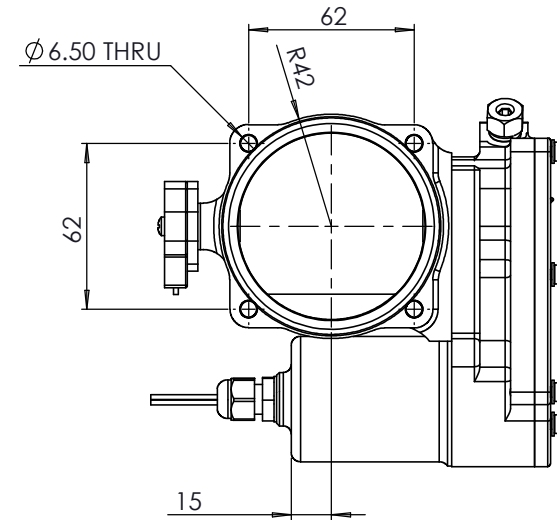
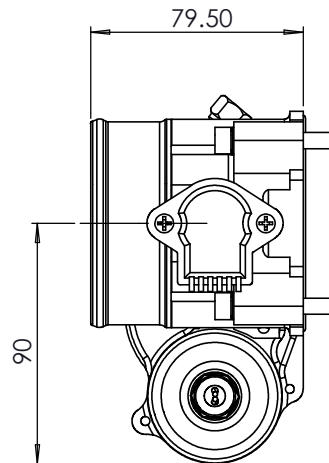
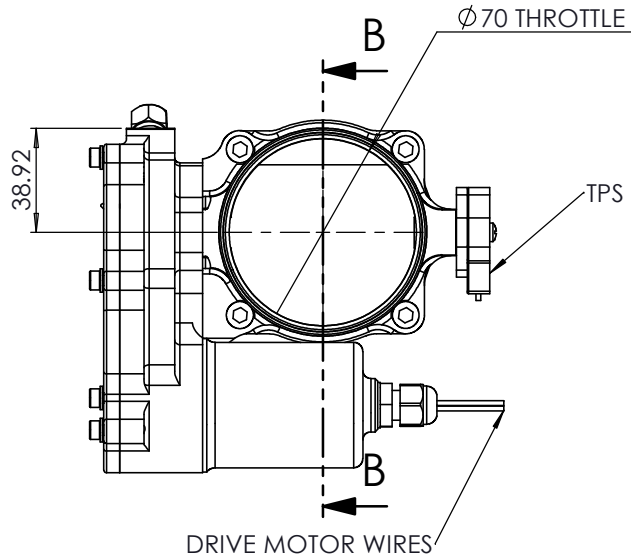


SECTION B-B



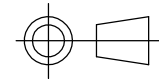
- NOTE:  
 1. FOR TPS PIN OUT DETAIL SEE TPS DATA SHEET.  
 2. FOR MOTOR :  
 + = RED  
 - = BLACK



COPYRIGHT (c) 2013  
 AT POWER LTD  
 UNIT 9, CHESTNUT DRIVE, WYMONDHAM,  
 NORFOLK, UK, NR18 9SB

UNLESS OTHERWISE STATED:  
 DIMENSIONS IN MILLIMETRES  
 TOLERANCES: LINEAR ± 0.1 ANGULAR ± 0.5°  
 SURFACE FINISH √ = √  
 DRAWING STANDARDS TO ATQS 6003  
 DATE FORMAT: DD/MM/YY

THIS DESIGN IS THE PROPERTY OF  
 AT POWER THROTTLES LTD AND  
 MUST NOT BE REPRODUCED OR  
 COMMUNICATED WITHOUT  
 AUTHORITY



THIRD ANGLE PROJECTION

SCALE 1:2 WEIGHT 0.9 kg

DRAWN- S.HOW

DATE - 29/08/19

CHECKED - S.HOW

APPROVED - A.CLIFTON

MATERIAL  
 SEE COMPONENT PARTS

FINISH  
 SEE COMPONENT PARTS

DRAWING TITLE  
**DBW SINGLE THROTTLE - 70  
 BORE- 76 DIA HOSE INLET**

DRAWING NUMBER  
**102-106-00075**