
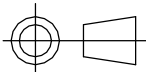


NOTES:

1. SCAVENGE DISPLACEMENT PER REVOLUTION PER STAGE = 14.3 CC/REV
2. SCAVENGE DISPLACEMENT AT 1000 RPM = 14.3 LT/MIN
3. PUMP DISPLACEMENT PER REVOLUTION PER STAGE = 20.1 CC/REV
4. PUMP DISPLACEMENT AT 1000 RPM = 20.1 LT/MIN
5. PRV MINIMUM CRACKING PRESSURE = 52 PSI (3.58 BAR)
6. PRV MAXIMUM CRACKING PRESSURE = 146 PSI (10.0 BAR)
7. EACH FULL TURN OF THE PRV ADJUSTER THE CRACKING PRESSURE WILL INCREASE/DECREASE BY 4.3 PS (0.3 BAR)

NOTE:
PUMP DISPLACEMENT IS FOR GUIDEANCE ONLY AS EFFECIENCY IS INFUENCED BY MULTIPLE FACTORS

 COPYRIGHT (c) 2013 AT POWER LTD UNIT 9, CHESTNUT DRIVE, WYMONDHAM, NORFOLK, UK, NR18 9SB	 THIRD ANGLE PROJECTION		MATERIAL	SEE COMPONENT PARTS
	SCALE 1:2	WEIGHT 2.6 kg	FINISH	SEE COMPONENT PARTS
UNLESS OTHERWISE STATED: DIMENSIONS IN MILLIMETRES TOLERANCES: LINEAR ± 0.1 ANGULAR ± 0.5° SURFACE FINISH ∇ = ∇ DRAWING STANDARDS TO ATQS 6003 DATE FORMAT: DD/MM/YY	DRAWN- S.HOW	DRAWING TITLE		
THIS DESIGN IS THE PROPERTY OF AT POWER THROTTLES LTD AND MUST NOT BE REPRODUCED OR COMMUNICATED WITHOUT AUTHORITY	DATE - 02/01/18	3 STAGE CORDIS-PRESSURE PUMP-SHORT NOSE-14.3 Lt SCAVENGE-20.1Lt PUMP		
CAD PLOT DO NOT SCALE	CHECKED - S.HOW	DRAWING NUMBER		
APPROVED - A.CLIFTON	DATE - 02/01/18	104-103-00094		
	APPROVED - A.CLIFTON	SHEET 2 OF 2 A3		