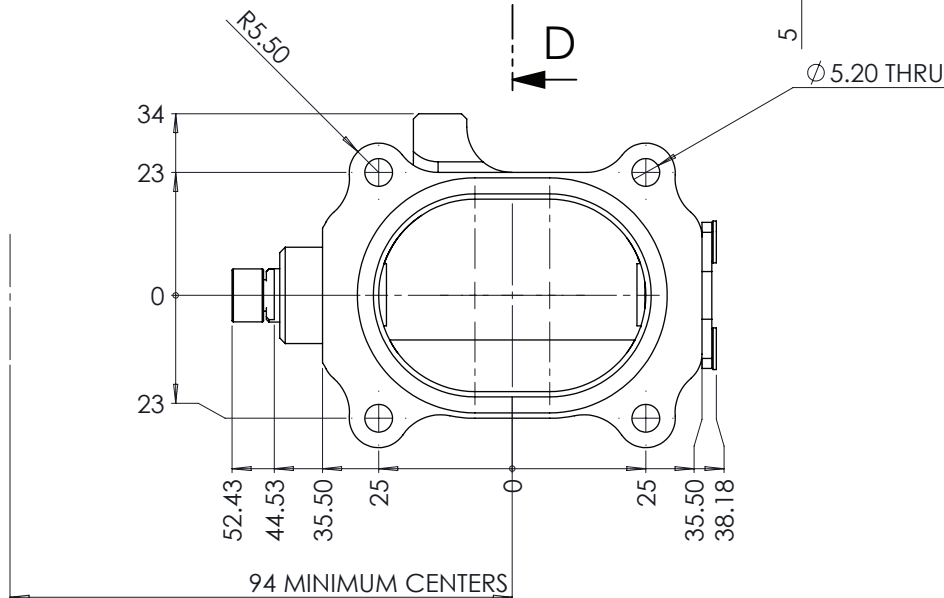

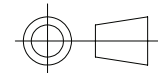


SECTION D-D



 COPYRIGHT (c) 2013 AT POWER LTD UNIT 9, CHESTNUT DRIVE, WYMONDHAM, NORFOLK, UK, NR18 9SB	 THIRD ANGLE PROJECTION	MATERIAL	SEE COMPONENT PARTS	
		FINISH	SEE COMPONENT PARTS	
UNLESS OTHERWISE STATED: DIMENSIONS IN MILLIMETRES TOLERANCES: LINEAR ± 0.1 ANGULAR ± 0.5° SURFACE FINISH ✓ = ✓ DRAWING STANDARDS TO ATQS 6003 DATE FORMAT: DD/MM/YY THIS DESIGN IS THE PROPERTY OF AT POWER THROTTLES LTD AND MUST NOT BE REPRODUCED OR COMMUNICATED WITHOUT AUTHORITY	SCALE	1:1	WEIGHT	0.2 kg
	DRAWN-	S.HOW		
	DATE -	19/12/19		
	CHECKED -	S.HOW		
	APPROVED -	A.CLIFTON		
		DRAWING TITLE	ASSY - HOUSING - SINGLE - OVAL - 45MM - NON-INJECTED	
		DRAWING NUMBER	102-105-00034	
			SHEET 2 OF 2 A3	