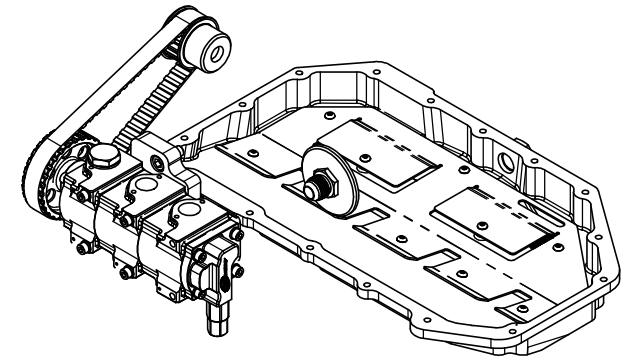
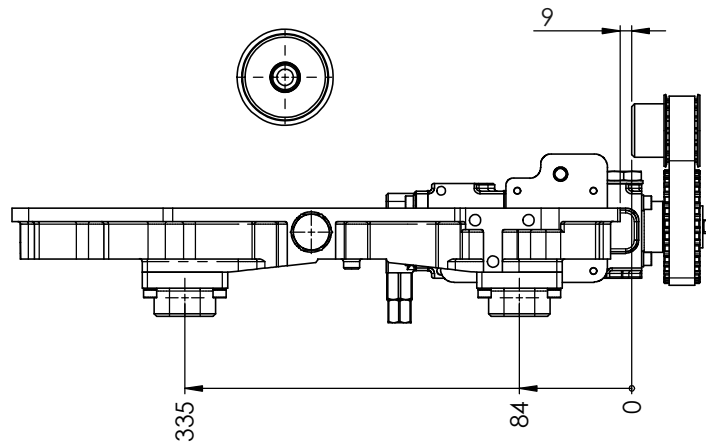
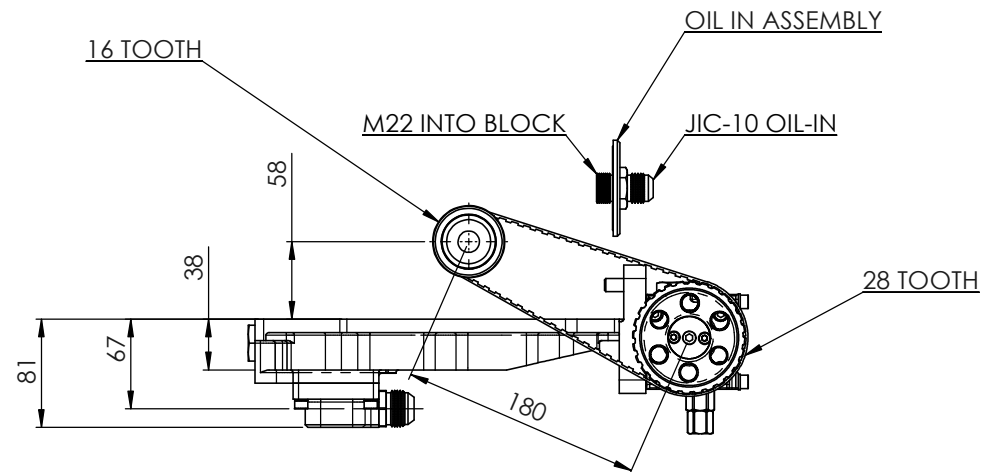


TURBO DRAIN
M22 X 1.5 TAP IN PAN
PLUG AND DOWTY WASHER SUPPLIED



ISOMETRIC VIEW



atpower

COPYRIGHT (c) 2013
AT POWER LTD
UNIT 9, CHESTNUT DRIVE, WYMONDHAM,
NORFOLK, UK, NR18 9SB

UNLESS OTHERWISE STATED:
DIMENSIONS IN MILLIMETRES
TOLERANCES: LINEAR ± 0.1 ANGULAR ± 0.5°
SURFACE FINISH √ = √
DRAWING STANDARDS TO ATQS 6003
DATE FORMAT: DD/MM/YY

THIS DESIGN IS THE PROPERTY OF
AT POWER THROTTLES LTD AND
MUST NOT BE REPRODUCED OR
COMMUNICATED WITHOUT
AUTHORITY

THIRD ANGLE PROJECTION

SCALE 1:4	WEIGHT 6.2 kg
DRAWN- S.HOW	
DATE - 19/06/19	
CHECKED - S.HOW	
APPROVED - A.CLIFTON	

MATERIAL	SEE COMPONENT PARTS
FINISH	SEE COMPONENT PARTS
DRAWING TITLE	ASSY - SUMP KIT - HONDA - K20 - 3/4" BELT - INTAKE
DRAWING NUMBER	105-102-00014