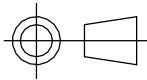
 COPYRIGHT (c) 2013 AT POWER LTD UNIT 9, CHESTNUT DRIVE, WYMONDHAM, NORFOLK, UK, NR18 9SB UNLESS OTHERWISE STATED: DIMENSIONS IN MILLIMETRES TOLERANCES: LINEAR ±0.1 ANGULAR ±0.5° SURFACE FINISH $\sqrt{\text{v}}$ = $\sqrt{\text{v}}$ DRAWING STANDARDS TO ATQS 6003 DATE FORMAT: DD/MM/YY THIS DESIGN IS THE PROPERTY OF ACTIVE TECHNOLOGIES LTD AND MUST NOT BE REPRODUCED OR COMMUNICATED WITHOUT AUTHORITY	 THIRD ANGLE PROJECTION		MATERIAL SEE COMPONENT PARTS
	SCALE 1:1	WEIGHT 0.4 kg	FINISH SEE COMPONENT PARTS
	DRAWN- S.HOW		DRAWING TITLE ASSY - SINGLE BORE - 75MM
	DATE - 21/10/15		DRAWING NUMBER 102-120-00013
	CHECKED - M.DAVIS	APPROVED - A.CLIFTON	SHEET 2 of 2 A3