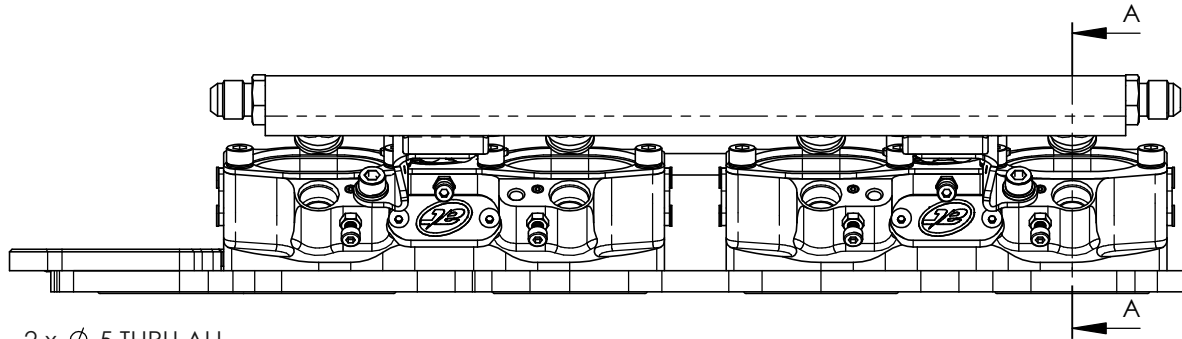
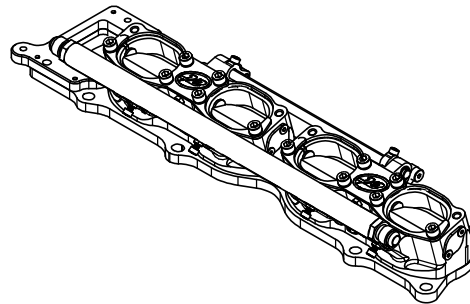
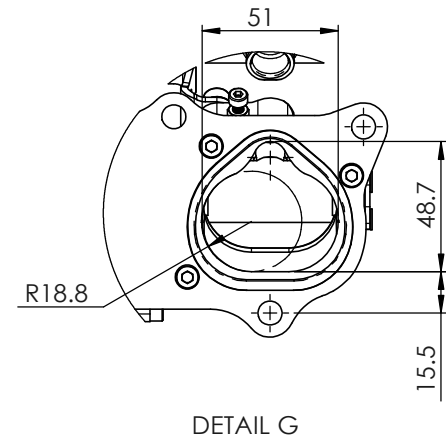
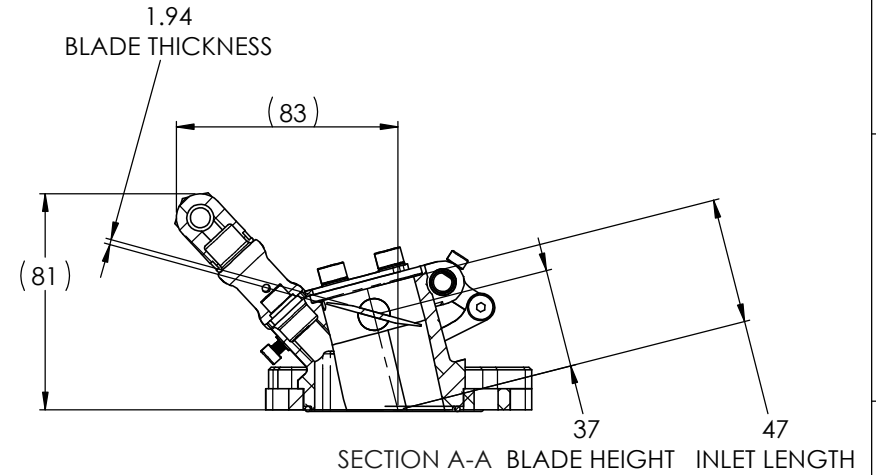
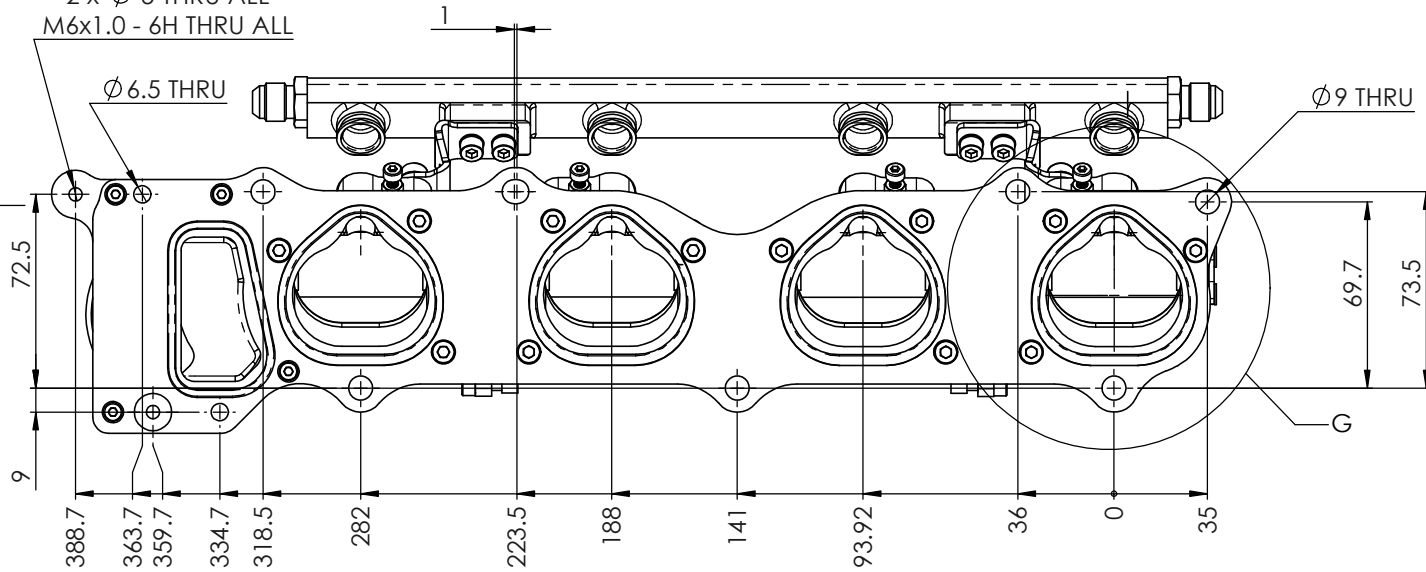


NOTE:

BLADE DIMENSIONS - 50 WIDE x 36 HIGH
 = $\varnothing 45$ mm EQUIVALENT OVAL



2 x $\varnothing 5$ THRU ALL
 M6x1.0 - 6H THRU ALL

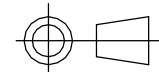


COPYRIGHT (c) 2013
 AT POWER LTD
 UNIT 9, CHESTNUT DRIVE, WYMONDHAM,
 NORFOLK, UK, NR18 9SB

UNLESS OTHERWISE STATED:
 DIMENSIONS IN MILLIMETRES
 TOLERANCES: LINEAR ± 0.1 ANGULAR $\pm 0.5^\circ$
 SURFACE FINISH $\sqrt{\text{V}}$
 DRAWING STANDARDS TO ATQS 6003
 DATE FORMAT: DD/MM/YY

THIS DESIGN IS THE PROPERTY OF
 AT POWER THROTTLES LTD AND
 MUST NOT BE REPRODUCED OR
 COMMUNICATED WITHOUT
 AUTHORITY

CAD PLOT
 DO NOT
 SCALE



THIRD ANGLE PROJECTION

SCALE 1:2 WEIGHT 2.0 kg

DRAWN- S.HOW

DATE - 11/12/18

CHECKED - S.HOW

APPROVED - A.CLIFTON

MATERIAL
 SEE COMPONENT PARTS

FINISH
 SEE COMPONENT PARTS

DRAWING TITLE
**ASSY - HOUSING - TWIN -
 HONDA - K20 - DC5- STD
 PORT**

DRAWING NUMBER
102-104-00019