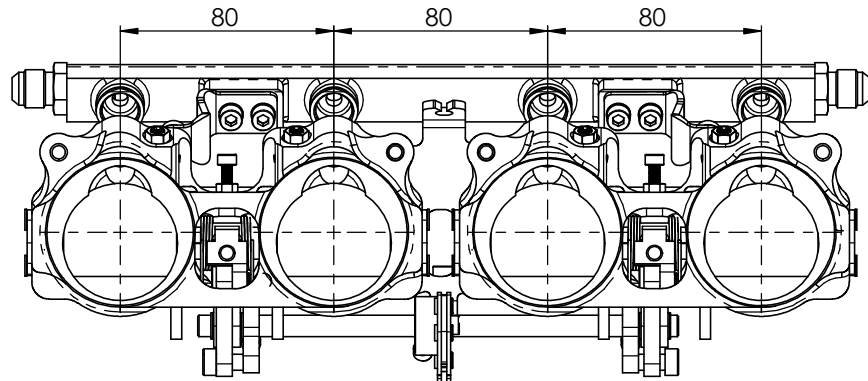
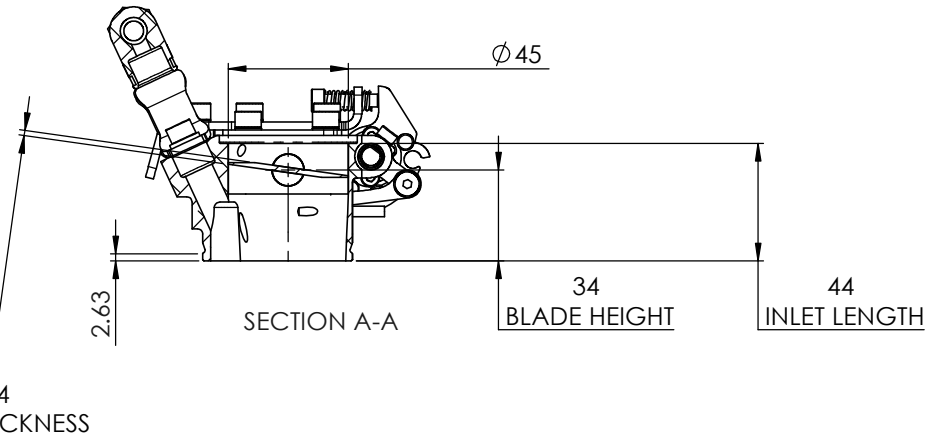
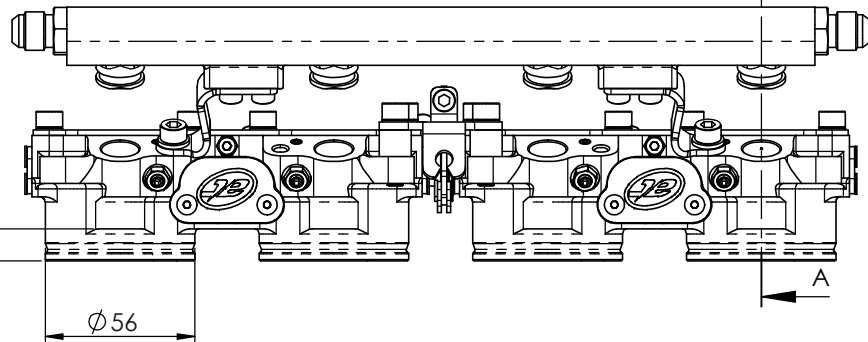

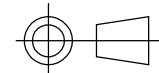


ISOMETRIC VIEW



 COPYRIGHT (c) 2013 AT POWER LTD UNIT 9, CHESTNUT DRIVE, WYMONDHAM, NORFOLK, UK, NR18 9SB	 THIRD ANGLE PROJECTION		MATERIAL
	SCALE 1:2	WEIGHT 1.3 kg	SEE COMPONENT PARTS
UNLESS OTHERWISE STATED: DIMENSIONS IN MILLIMETRES TOLERANCES: LINEAR ± 0.1 ANGULAR ± 0.5° SURFACE FINISH √ = √ DRAWING STANDARDS TO ATQS 6003 DATE FORMAT: DD/MM/YY	DRAWN- S.HOW	FINISH	
	DATE - 06/03/19	SEE COMPONENT PARTS	
THIS DESIGN IS THE PROPERTY OF AT POWER THROTTLES LTD AND MUST NOT BE REPRODUCED OR COMMUNICATED WITHOUT AUTHORITY	CHECKED - S.HOW	DRAWING TITLE	
	APPROVED - A.CLIFTON	ASSY - HOUSING - TWIN - HAYABUSA - GEN 1 - 45MM -STD INJECTORS	
CAD PLOT DO NOT SCALE	DRAWING NUMBER		
	102-104-00102		SHEET 2 OF 2 A3