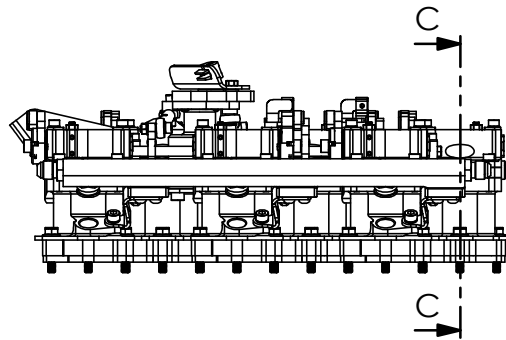
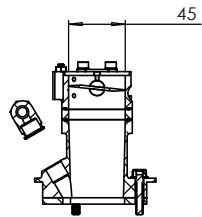
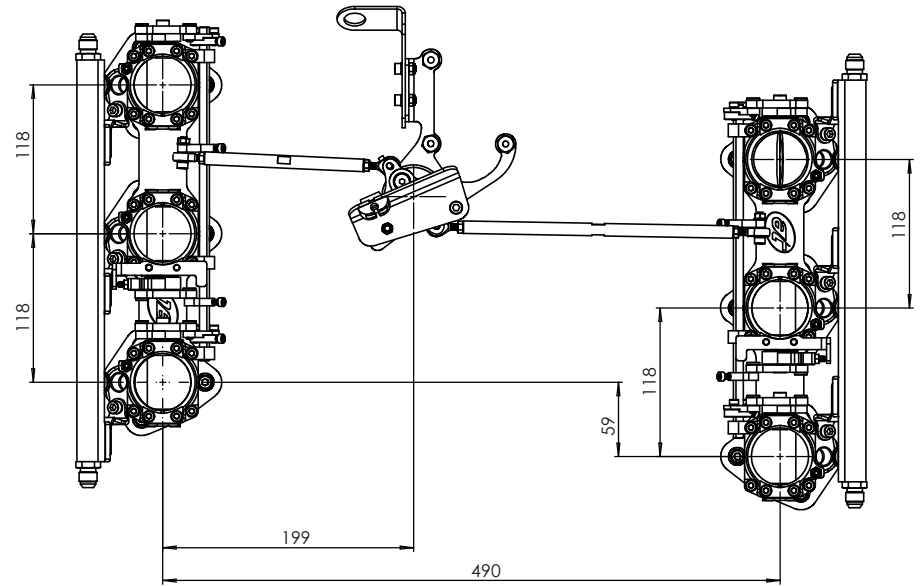
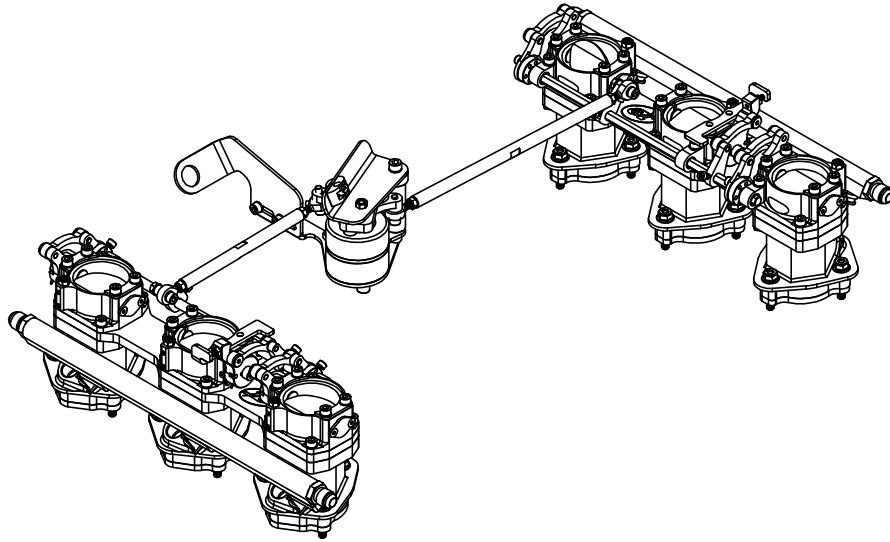
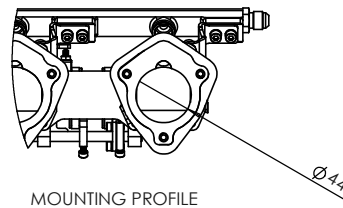
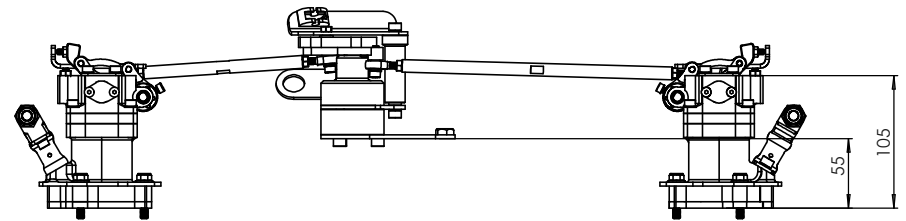


45MM DIAMETER SHAFTLESS THROTTLE TO 44MM DIAMETER AT HEAD FACE



SECTION C-C



MOUNTING PROFILE

<p><b>AT POWER</b>                  COPYRIGHT (c) 2013                  AT POWER LTD                  UNIT 9, CHESTNUT DRIVE, WYMONDHAM,                  NORFOLK, UK, NR18 7SB</p>	<p>THIRD ANGLE PROJECTION</p>		MATERIAL SEE COMPONENT PARTS
	SCALE 1:3	WEIGHT 5.1 kg	FINISH SEE COMPONENT PARTS
DRAWN - S.HOW		DRAWING TITLE ASSY - PORSCHE 964 - 45MM TO 44MM BASE ASSEMBLY	
DATE - 20/09/18		DRAWING NUMBER 102-102-00172	
CHECKED - -- APPROVED - A.CLIFTON		CAD PLOT DO NOT SCALE	SHEET 2 OF 2 A2

UNLESS OTHERWISE STATED:  
 DIMENSIONS IN MILLIMETRES  
 TOLERANCES: LINEAR ± 0.1 ANGULAR ± 0.5°  
 SURFACE FINISH  $\sqrt{\sqrt{}}$   
 DRAWING STANDARDS TO ATQS 6003  
 DATE FORMAT: DD/MM/YY  
 THIS DESIGN IS THE PROPERTY OF  
 AT POWER THROTTLES LTD AND  
 MUST NOT BE REPRODUCED OR  
 COMMUNICATED WITHOUT  
 AUTHORITY