
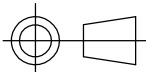


NOTES:

1. DISPLACEMENT PER REVOLUTION PER STAGE = 14.3 CC/REV
2. DISPLACEMENT AT 1000 RPM = 14.3 LT/MIN
3. PRV MINIMUM CRACKING PRESSURE = 52 PSI (3.58 BAR)
4. PRV MAXIMUM CRACKING PRESSURE = 146 PSI (10.0 BAR)
5. EACH FULL TURN OF THE PRV ADJUSTER THE CRACKING PRESSURE WILL INCREASE/DECREASE BY 4.3 PS (0.3 BAR)

NOTE:
PUMP DISPLACEMENT IS FOR GUIDANCE ONLY AS EFFECIENCY IS INFLUENCED BY MULTIPLE FACTORS

 COPYRIGHT (c) 2013 AT POWER LTD UNIT 9, CHESTNUT DRIVE, WYMONDHAM, NORFOLK, UK, NR18 9SB	 THIRD ANGLE PROJECTION		MATERIAL SEE COMPONENT PARTS
	SCALE 1:2	WEIGHT 3.3 kg	FINISH SEE COMPONENT PARTS
UNLESS OTHERWISE STATED: DIMENSIONS IN MILLIMETRES TOLERANCES: LINEAR ± 0.1 ANGULAR ± 0.5° SURFACE FINISH ∇ = ∇ DRAWING STANDARDS TO ATQS 6003 DATE FORMAT: DD/MM/YY	DRAWN- S.HOW	DRAWING TITLE 4 STAGE CORDIS-PRESSURE PUMP-LONG NOSE-14.3 Lt	
THIS DESIGN IS THE PROPERTY OF AT POWER THROTTLES LTD AND MUST NOT BE REPRODUCED OR COMMUNICATED WITHOUT AUTHORITY	CHECKED - S.HOW	DRAWING NUMBER 104-103-00093	
	APPROVED - A.CLIFTON	SHEET 2 OF 2 A3	