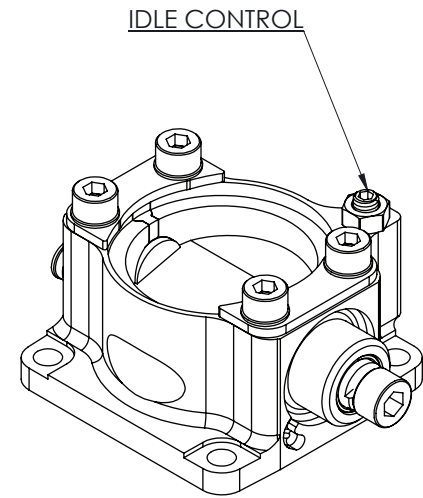
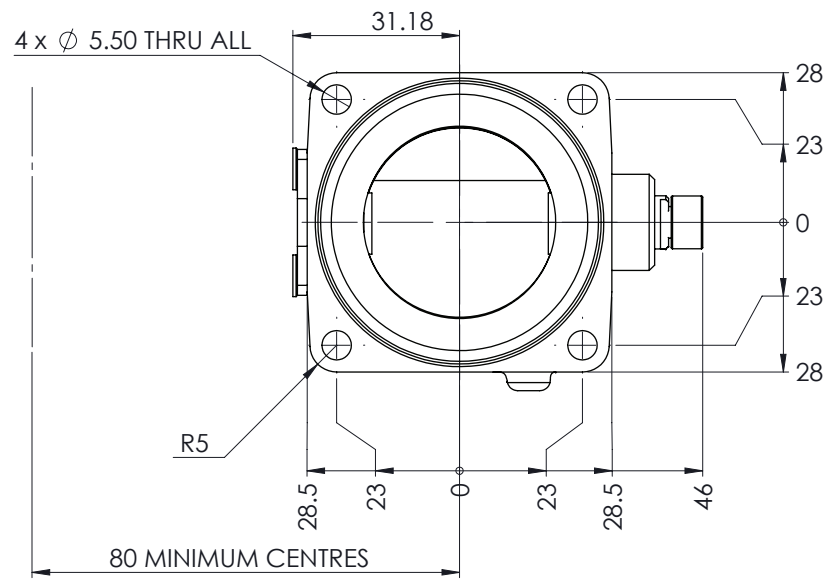


SECTION A-A



ISOMETRIC VIEW

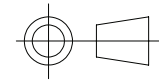


COPYRIGHT (c) 2013
AT POWER LTD
UNIT 9, CHESTNUT DRIVE, WYMONDHAM,
NORFOLK, UK, NR18 9SB

UNLESS OTHERWISE STATED:
DIMENSIONS IN MILLIMETRES
TOLERANCES: LINEAR ± 0.1 ANGULAR ± 0.5°
SURFACE FINISH: ✓ = ✓
DRAWING STANDARDS TO ATQS 6003
DATE FORMAT: DD/MM/YY

THIS DESIGN IS THE PROPERTY OF
AT POWER THROTTLES LTD AND
MUST NOT BE REPRODUCED OR
COMMUNICATED WITHOUT
AUTHORITY

CAD PLOT
DO NOT
SCALE



THIRD ANGLE PROJECTION

SCALE 1:1	WEIGHT 0.1 kg
--------------	------------------

DRAWN- S.HOW

DATE - 03/05/18

CHECKED - S.HOW

APPROVED - A.CLIFTON

MATERIAL	SEE COMPONENT PARTS
FINISH	SEE COMPONENT PARTS
DRAWING TITLE	ASSY - HOUSING - SINGLE - ROUND - 36MM - NON-INJECTED
DRAWING NUMBER	102-105-00001