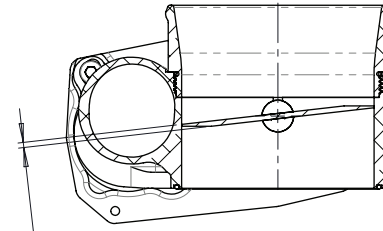
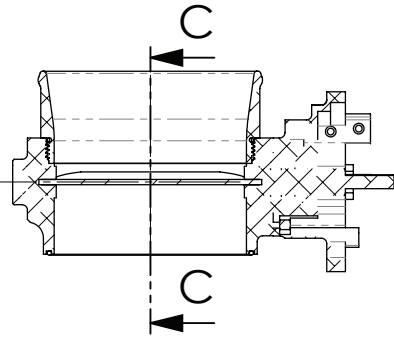
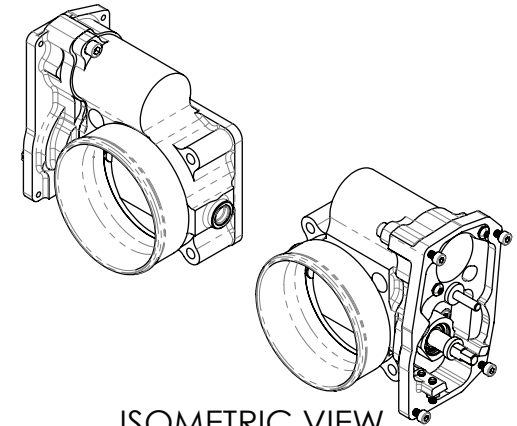


SECTION B-B

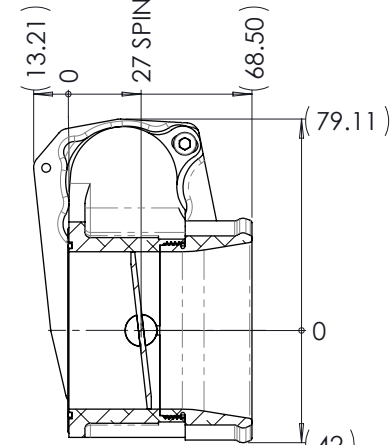
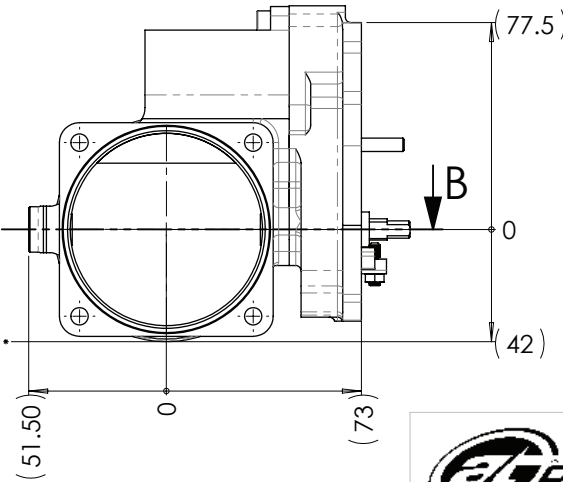
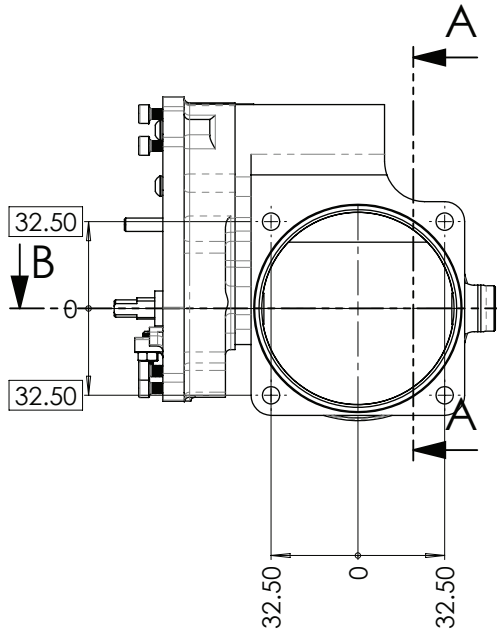


1.94 KNIFE-EDGED
BLADE THICKNESS

SECTION C-C



ISOMETRIC VIEW



SECTION A-A

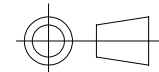


COPYRIGHT (c) 2013
AT POWER LTD
UNIT 9, CHESTNUT DRIVE, WYMONDHAM,
NORFOLK, UK, NR18 9SB

UNLESS OTHERWISE STATED:
DIMENSIONS IN MILLIMETRES
TOLERANCES: LINEAR ± 0.1 ANGULAR $\pm 0.5^\circ$
SURFACE FINISH $\sqrt{\text{V}}$ = $\sqrt{\text{V}}$
DRAWING STANDARDS TO ATQS 6003
DATE FORMAT: DD/MM/YY

THIS DESIGN IS THE PROPERTY OF
AT POWER THROTTLES LTD AND
MUST NOT BE REPRODUCED OR
COMMUNICATED WITHOUT
AUTHORITY

CAD PLOT
DO NOT
SCALE



THIRD ANGLE PROJECTION
SCALE 1:2 WEIGHT 1.4 kg

DRAWN- S.HOW
DATE - 25/11/15

CHECKED - M.DAVIS
APPROVED - A.CLIFTON

MATERIAL	SEE COMPONENT PARTS
FINISH	SEE COMPONENT PARTS
DRAWING TITLE	ASSY - OEM - DBW - NISSAN - GTR - 72MM - OEM INTERNALS - CUSTOMER BUILD - PAIR
DRAWING NUMBER	102-102-00063