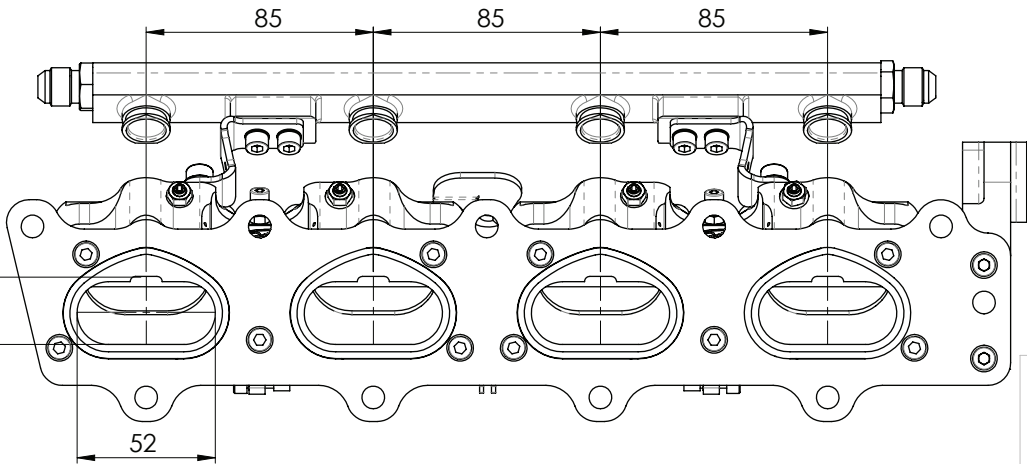
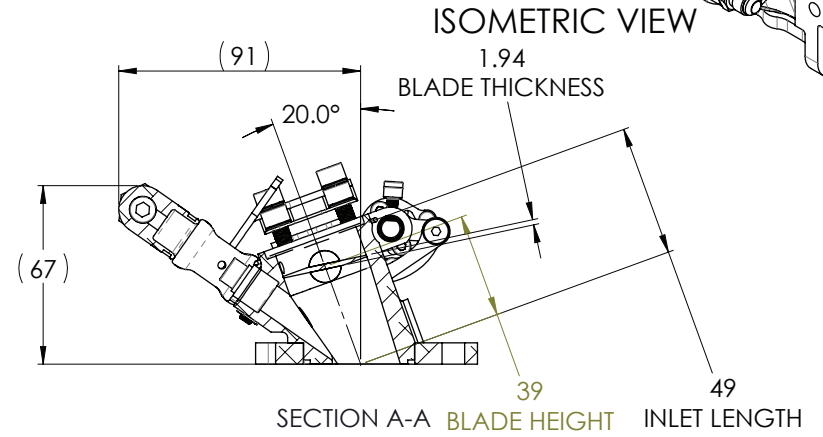
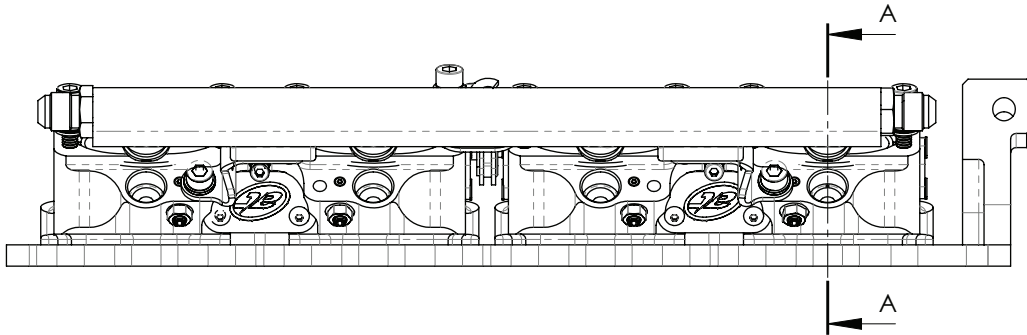

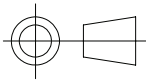


NOTE:

BLADE DIMENSIONS - 48 WIDE x 32 HIGH  
 =  $\phi$  42mm EQUIVALENT OVAL



 COPYRIGHT (c) 2013 AT POWER LTD UNIT 9, CHESTNUT DRIVE, WYMONDHAM, NORFOLK, UK, NR18 9SB	 THIRD ANGLE PROJECTION		MATERIAL	SEE COMPONENT PARTS
	SCALE 1:2	WEIGHT 2.0 kg	FINISH	SEE COMPONENT PARTS
UNLESS OTHERWISE STATED: DIMENSIONS IN MILLIMETRES TOLERANCES: LINEAR $\pm 0.1$ ANGULAR $\pm 0.5^\circ$ SURFACE FINISH $\sqrt{\text{ }}$ = $\sqrt{\text{ }}$ DRAWING STANDARDS TO ATQS 6003 DATE FORMAT: DD/MM/YY	DRAWN- S.HOW	DRAWING TITLE		
THIS DESIGN IS THE PROPERTY OF AT POWER THROTTLES LTD AND MUST NOT BE REPRODUCED OR COMMUNICATED WITHOUT AUTHORITY	DATE - 14/09/20	ASSY - HOUSING - TWIN - RENAULT - TWINGO - 42MM		
	CHECKED - S.HOW			
CAD PLOT DO NOT SCALE	APPROVED - A.CLIFTON			