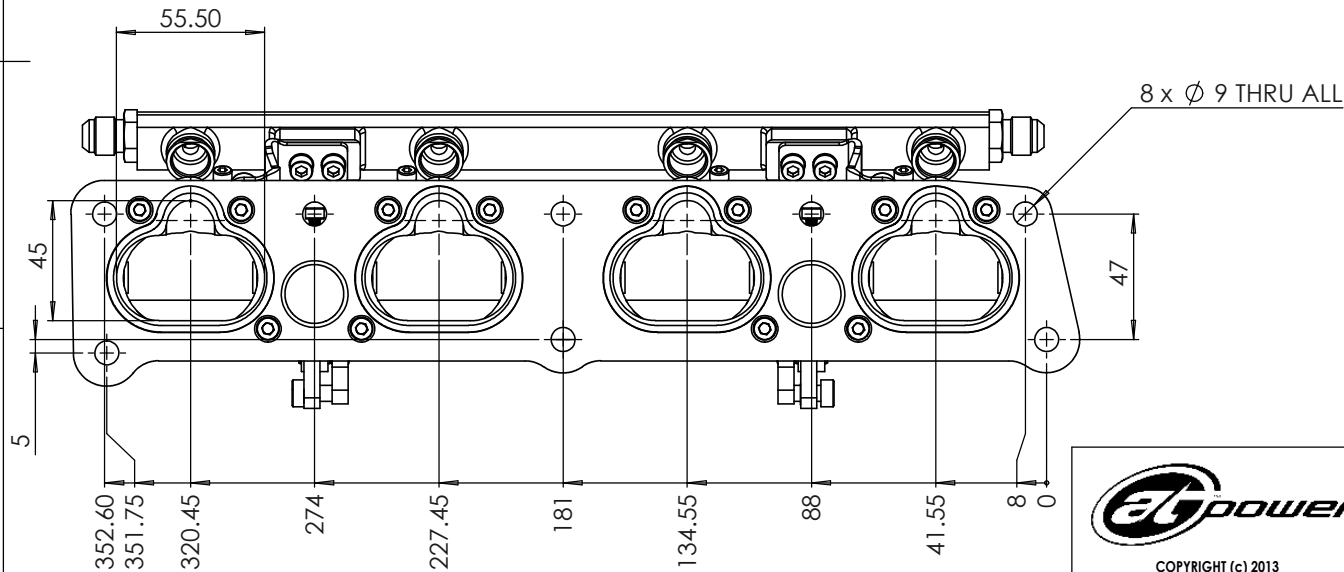

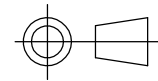


SECTION B-B



NOTE:
BLADE DIMENSIONS FOR OUR 38 OVAL
42 WIDE X 36 HIGH

 COPYRIGHT (c) 2013 AT POWER LTD UNIT 9, CHESTNUT DRIVE, WYMONDHAM, NORFOLK, UK, NR18 9SB	 THIRD ANGLE PROJECTION	MATERIAL	SEE COMPONENT PARTS	
		FINISH	SEE COMPONENT PARTS	
UNLESS OTHERWISE STATED: DIMENSIONS IN MILLIMETRES TOLERANCES: LINEAR ± 0.1 ANGULAR ± 0.5° SURFACE FINISH √ = √ DRAWING STANDARDS TO ATQS 6003 DATE FORMAT: DD/MM/YY	SCALE	1:2	WEIGHT	1.9 kg
	DRAWN-	S.HOW		
THIS DESIGN IS THE PROPERTY OF AT POWER THROTTLES LTD AND MUST NOT BE REPRODUCED OR COMMUNICATED WITHOUT AUTHORITY	DATE -	14/07/17		
	CHECKED -	S.HOW		
CAD PLOT DO NOT SCALE	APPROVED -	S.HOW		
DRAWING TITLE		ASSY - HOUSING - TWIN - C2-206 GTI 180		
DRAWING NUMBER		102-104-00068		