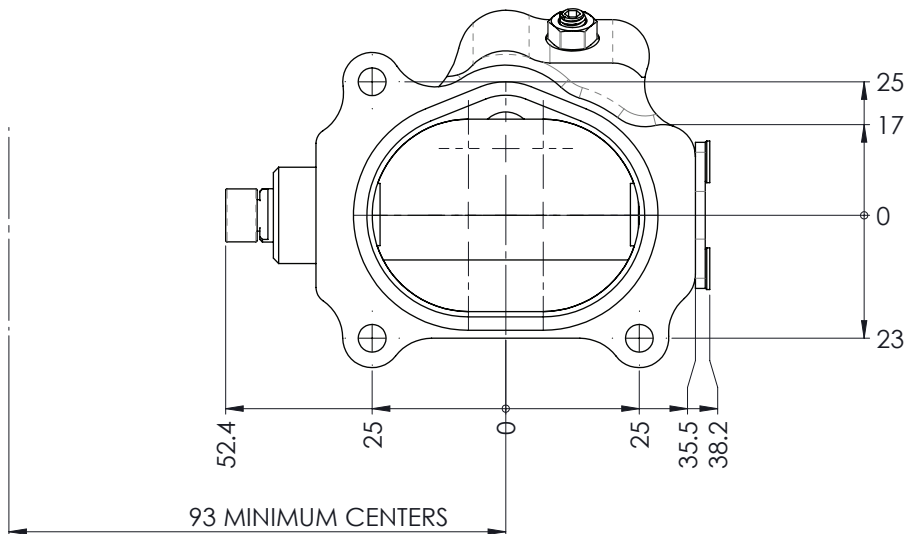

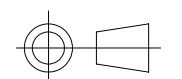


ISOMETRIC VIEW

**COPYRIGHT (c) 2013
AT POWER LTD
UNIT 9, CHESTNUT DRIVE, WYMONDHAM,
NORFOLK, UK, NR18 9SB**



THIRD ANGLE PROJECTION
SCALE 1:1
WEIGHT 0.2 kg

MATERIAL	SEE COMPONENT PARTS
FINISH	SEE COMPONENT PARTS
DRAWING TITLE	ASSY - HOUSING - SINGLE - OVAL - 45MM - INJECTED
DRAWING NUMBER	102-105-00044

UNLESS OTHERWISE STATED:
DIMENSIONS IN MILLIMETRES
TOLERANCES: LINEAR ± 0.1 ANGULAR ± 0.5°
SURFACE FINISH √ = √
DRAWING STANDARDS TO ATQS 6003
DATE FORMAT: DD/MM/YY

THIS DESIGN IS THE PROPERTY OF
AT POWER THROTTLES LTD AND
MUST NOT BE REPRODUCED OR
COMMUNICATED WITHOUT
AUTHORITY

DRAWN- S.HOW
DATE - 06/01/20
CHECKED - S.HOW
APPROVED - A.CLIFTON

CAD PLOT
DO NOT
SCALE