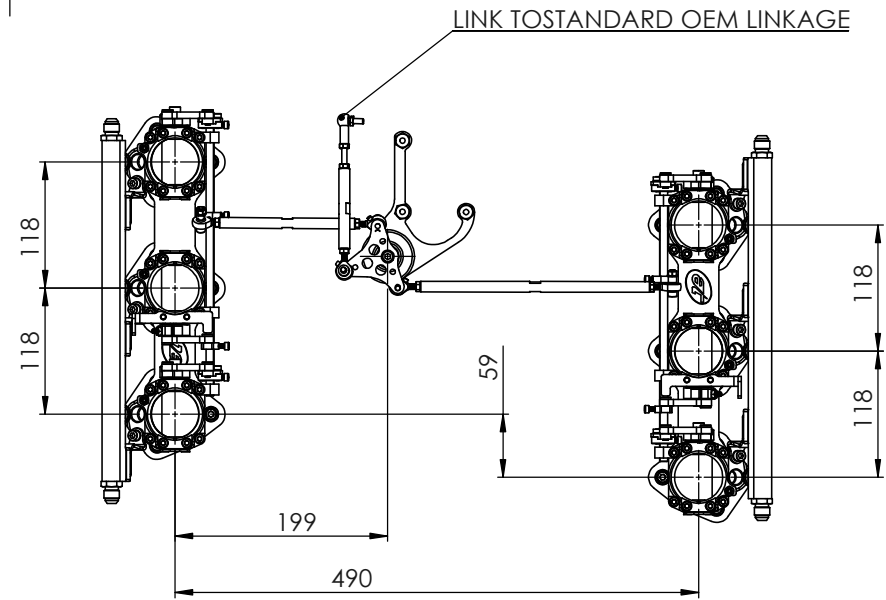
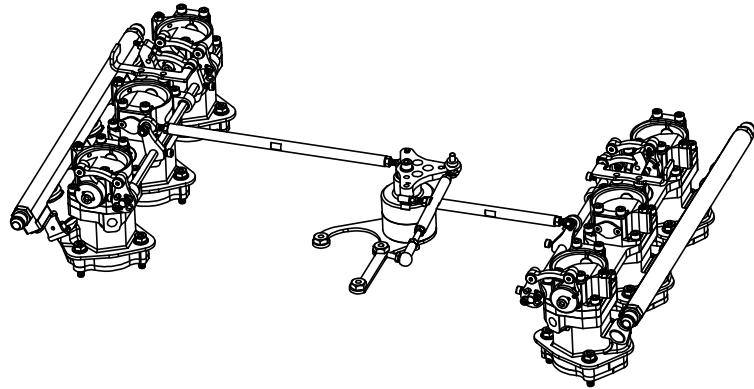


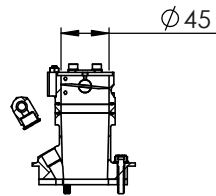
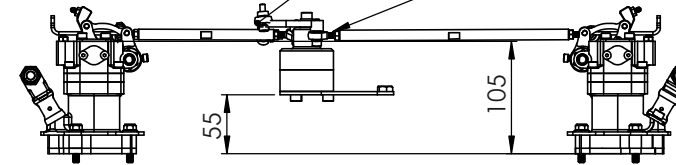
45MM DIAMETER SHAFTLESS THROTTLES TO 44MM DIAMETER AT HEAD FACE



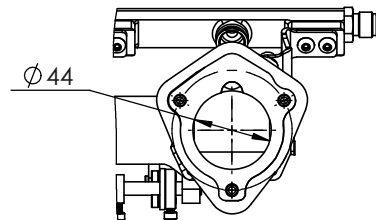
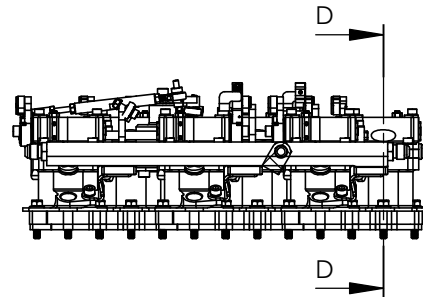
LINK TO STANDARD OEM LINKAGE

OEM LINK ARM BOLTED TO TOP OF CENTRE SPINDLE

THROTTLE LINKAGE FIXED TO UNDERSIDE OF CENTRE SPINDLE


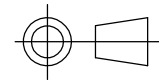


SECTION D-D  
SCALE 1 : 5



MOUTING PROFILE

LINK ARMS MUST BE BE PARALLEL IN PLAN VIEW & HORIZONTAL IN END VIEW TO MAINTAIN FLOW BALANCE BETWEEN THROTTLE BANKS

 COPYRIGHT (c) 2013 AT POWER LTD UNIT 9, CHESTNUT DRIVE, WYMONDHAM, NORFOLK, UK, NR18 9SB	 THIRD ANGLE PROJECTION		MATERIAL SEE COMPONENT PARTS
	SCALE 1:10	WEIGHT 4.7 kg	FINISH SEE COMPONENT PARTS
UNLESS OTHERWISE STATED: DIMENSIONS IN MILLIMETRES TOLERANCES: LINEAR ± 0.1 ANGULAR ± 0.5° SURFACE FINISH √ = √ DRAWING STANDARDS TO ATQS 6003 DATE FORMAT: DD/MM/YY	DRAWN- S.HOW	DRAWING TITLE <b>ASSY - PORSCHE - 993 - 45MM 3 HOLE MOUNT 44MM BORE</b>	
THIS DESIGN IS THE PROPERTY OF AT POWER THROTTLES LTD AND MUST NOT BE REPRODUCED OR COMMUNICATED WITHOUT AUTHORITY	CHECKED - S.HOW APPROVED - S.HOW	DATE - 20/09/18	DRAWING NUMBER <b>102-102-00171</b>
	CAD PLOT DO NOT SCALE		SHEET 2 OF 2 A3