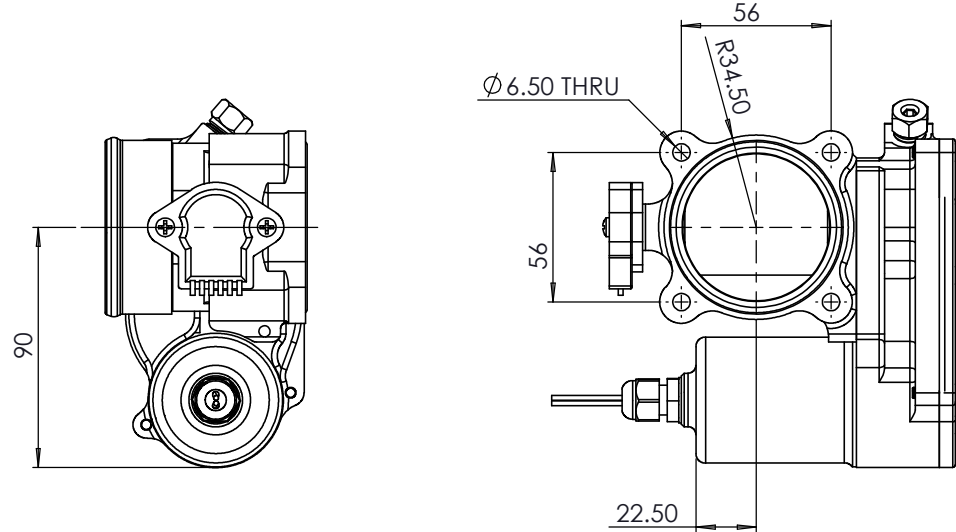
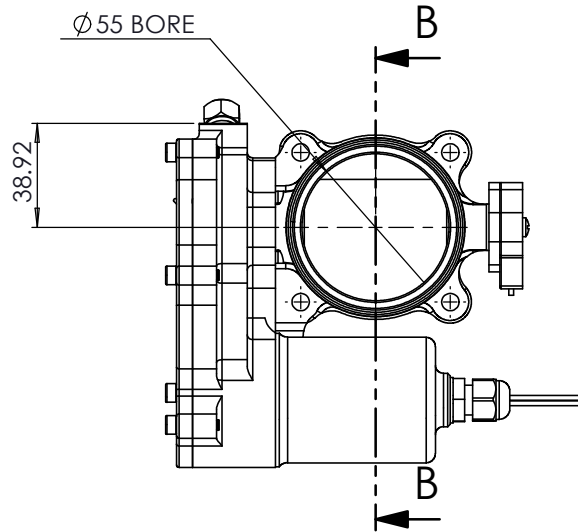


SECTION B-B



- NOTE:
 1. FOR TPS PIN OUT DETAIL SEE TPS DATA SHEET
 2. FOR MOTOR:
 + = RED
 - = BLACK

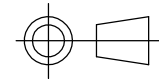


COPYRIGHT (c) 2013
 AT POWER LTD
 UNIT 9, CHESTNUT DRIVE, WYMONDHAM,
 NORFOLK, UK, NR18 9SB

UNLESS OTHERWISE STATED:
 DIMENSIONS IN MILLIMETRES
 TOLERANCES: LINEAR ± 0.1 ANGULAR ± 0.5°
 SURFACE FINISH √ = √
 DRAWING STANDARDS TO ATQS 6003
 DATE FORMAT: DD/MM/YY

THIS DESIGN IS THE PROPERTY OF
 AT POWER THROTTLES LTD AND
 MUST NOT BE REPRODUCED OR
 COMMUNICATED WITHOUT
 AUTHORITY

CAD PLOT
 DO NOT
 SCALE



THIRD ANGLE PROJECTION
 SCALE 1:2 WEIGHT 0.9 kg

DRAWN- S.HOW
 DATE - 27/08/19

CHECKED - S.HOW
 APPROVED - A.CLIFTON

MATERIAL
 SEE COMPONENT PARTS

FINISH
 SEE COMPONENT PARTS

DRAWING TITLE
**DBW SINGLE THROTTLE - 55
 BORE- 65 DIA HOSE INLET**

DRAWING NUMBER
102-106-00073