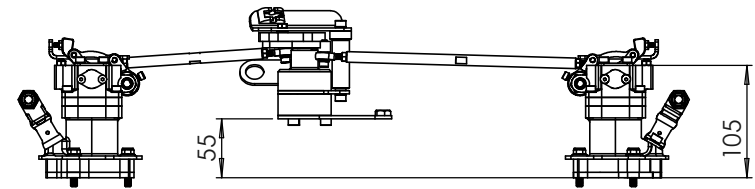
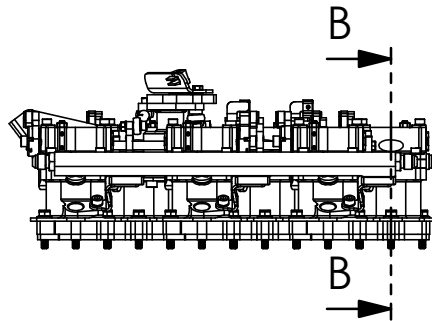
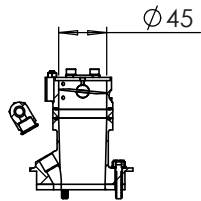
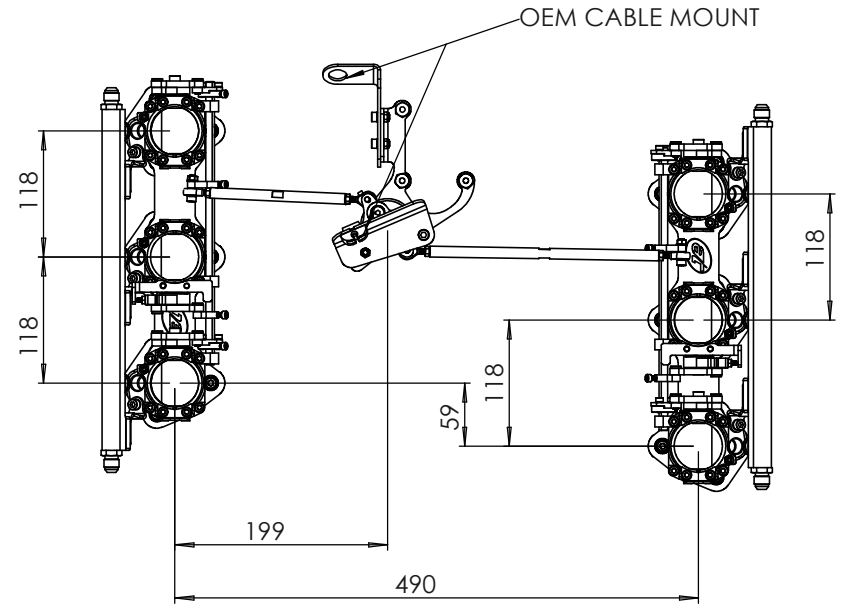
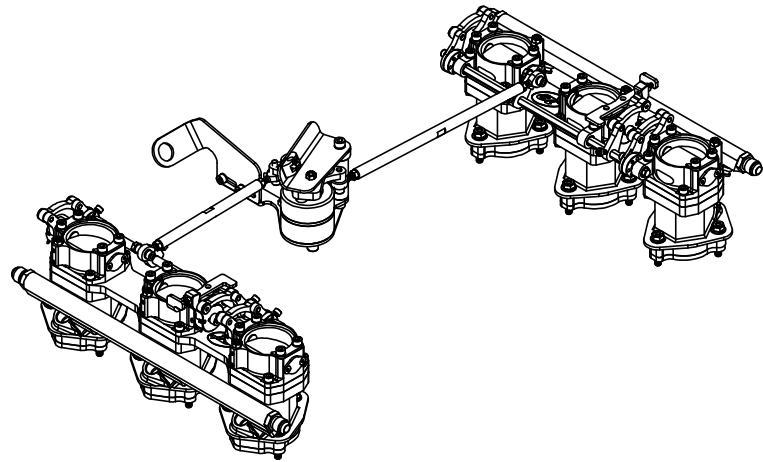
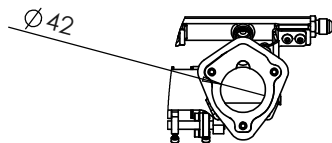

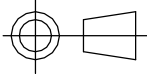


45MM DIAMETER SHAFTLESS THROTTLE TO 42MM DIAMTER AT HEAD FACE



SECTION B-B
SCALE 1 : 5



 COPYRIGHT (c) 2013 AT POWER LTD UNIT 9, CHESTNUT DRIVE, WYMONDHAM, NORFOLK, UK, NR18 9SB	 THIRD ANGLE PROJECTION	MATERIAL	SEE COMPONENT PARTS	
		FINISH	SEE COMPONENT PARTS	
UNLESS OTHERWISE STATED: DIMENSIONS IN MILLIMETRES TOLERANCES: LINEAR ± 0.1 ANGULAR ± 0.5° SURFACE FINISH √ = √ DRAWING STANDARDS TO ATQS 6003 DATE FORMAT: DD/MM/YY	SCALE	1:2	WEIGHT	5.1 kg
	DRAWN-	S.HOW		
THIS DESIGN IS THE PROPERTY OF AT POWER THROTTLES LTD AND MUST NOT BE REPRODUCED OR COMMUNICATED WITHOUT AUTHORITY	DATE -	19/09/18		
	CHECKED -	S.HOW		
CAD PLOT DO NOT SCALE	APPROVED -	A.CLIFTON		
		DRAWING TITLE	ASSY - PORSCHE 964 - 45MM TO 42MM BASE ASSEMBLY	
		DRAWING NUMBER	102-102-00166	
		SHEET 2 OF 2 A3		