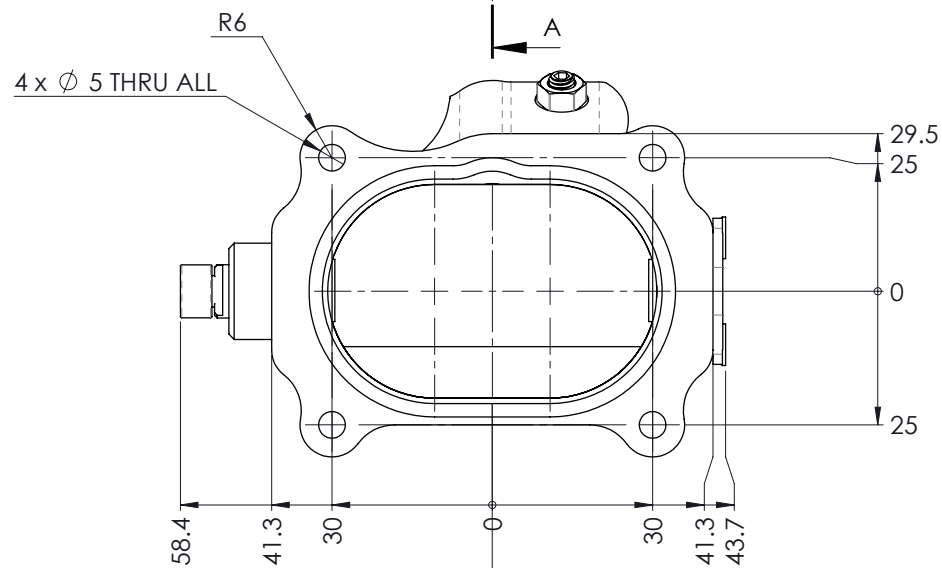


23  
BLADE HEIGHT



104 MINIMUM CENTERS

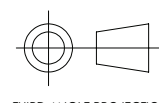


COPYRIGHT (c) 2013  
AT POWER LTD  
UNIT 9, CHESTNUT DRIVE, WYMONDHAM,  
NORFOLK, UK, NR18 9SB

UNLESS OTHERWISE STATED:  
DIMENSIONS IN MILLIMETRES  
TOLERANCES: LINEAR  $\pm 0.1$  ANGULAR  $\pm 0.5^\circ$   
SURFACE FINISH  $\sqrt{\text{V}}$  =  $\sqrt{\text{V}}$   
DRAWING STANDARDS TO ATQS 6003  
DATE FORMAT: DD/MM/YY

THIS DESIGN IS THE PROPERTY OF  
AT POWER THROTTLES LTD AND  
MUST NOT BE REPRODUCED OR  
COMMUNICATED WITHOUT  
AUTHORITY

CAD PLOT  
DO NOT  
SCALE



SCALE 1:1

WEIGHT 0.2 kg

DRAWN- S.HOW

DATE - 06/01/20

CHECKED - S.HOW

APPROVED - A.CLIFTON

|                |  |
|----------------|--|
| MATERIAL       | SEE COMPONENT PARTS                              |
| FINISH         | SEE COMPONENT PARTS                              |
| DRAWING TITLE  | ASSY - HOUSING - SINGLE - OVAL - 52MM - INJECTED |
| DRAWING NUMBER | 102-105-00047                                    |