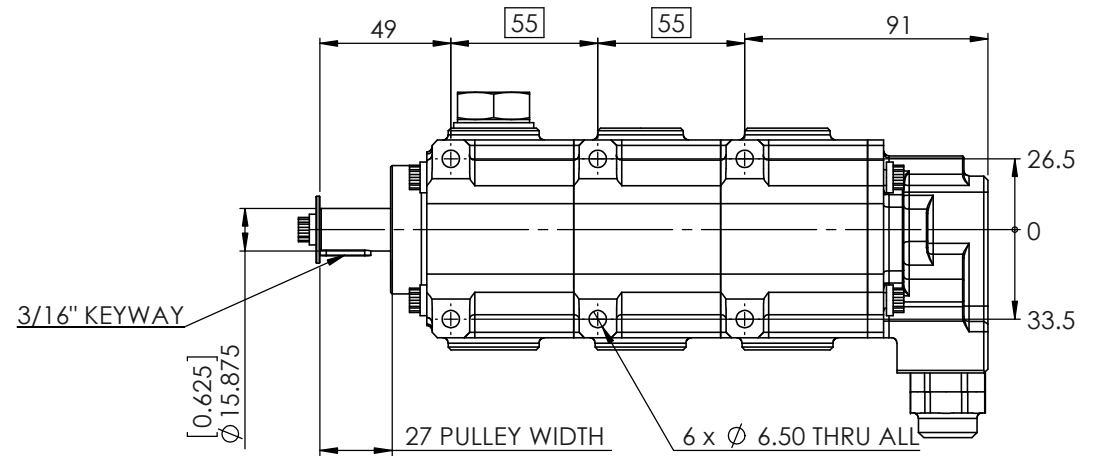
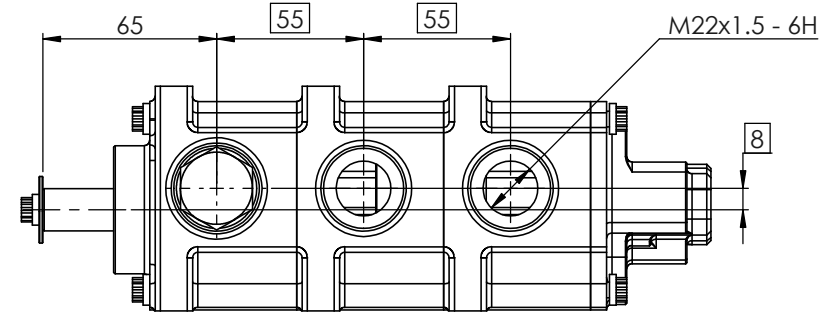
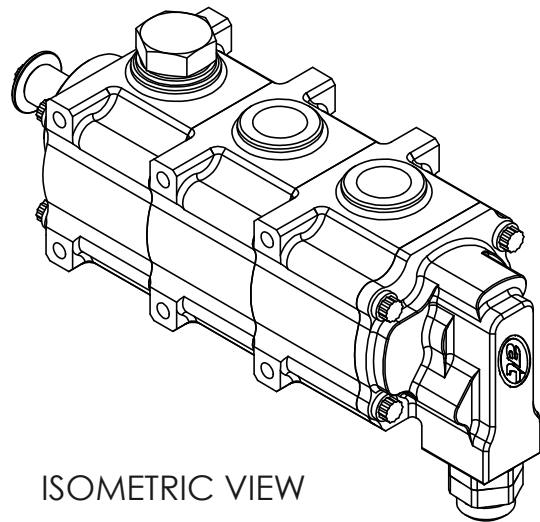
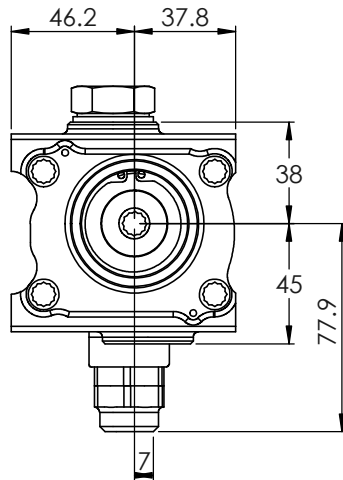

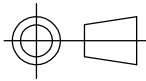


NOTES:

1. DISPLACEMENT PER REVERLUTION PER STAGE = 22.0 CC/REV SCAVENGE
2. DISPLACEMENT AT 1000 RPM = 22.0 LT/MIN SCAVENGE
3. DISPLACEMENT PER REVERLUTION PER STAGE = 16.5 CC/REV PRESSURE
4. DISPLACEMENT AT 1000 RPM =16.5 LT/MIN PRESSURE
5. PRV CRACKING PRESSURE:-
 MINIMUM = 1.6 BAR (24 PSI)
 MAXIMUM = 8.7 BAR (126PSI)
6. FOR EACH FULL TURN OF THE ADJUSTER THE CRACKING PRESSURE WILL INCREASE/DECREASE BY 0.41 BAR (6.0 PSI)



| | | | |
|--|---|---|--------------------|
|  COPYRIGHT (c) 2013 AT POWER LTD UNIT 9, CHESTNUT DRIVE, WYMONDHAM, NORFOLK, UK, NR18 9SB |  THIRD ANGLE PROJECTION | | MATERIAL |
| | SCALE 1:2 | WEIGHT 3.3 kg | SEE COMPONENT PART |
| UNLESS OTHERWISE STATED: DIMENSIONS IN MILLIMETRES TOLERANCES: LINEAR ± 0.1 ANGULAR ± 0.5° SURFACE FINISH √ = √ DRAWING STANDARDS TO ATQS 6003 DATE FORMAT: DD/MM/YY | DRAWN- S.HOW | FINISH | |
| | DATE - 12/11/18 | SEE COMPONENT PART | |
| THIS DESIGN IS THE PROPERTY OF ACTIVE TECHNOLOGIES LTD AND MUST NOT BE REPRODUCED OR COMMUNICATED WITHOUT AUTHORITY | CHECKED - S.HOW | DRAWING TITLE | |
| | APPROVED - A.CLIFTON | 3 STAGE MAGNA CORDIS-PRESSURE PUMP-SHORT NOSE-22 Lt SCAVENGE- 16.5Lt PUMP | |
| CAD PLOT DO NOT SCALE | DRAWING NUMBER | | |
| | 104-103-00037 | | |
| | SHEET 2 OF 2 A3 | | |