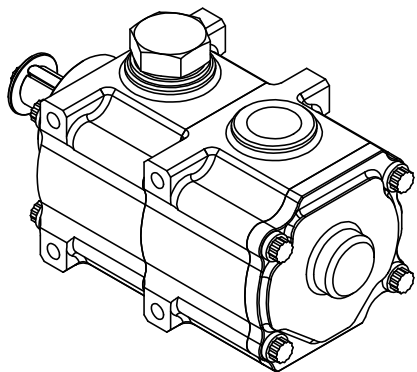
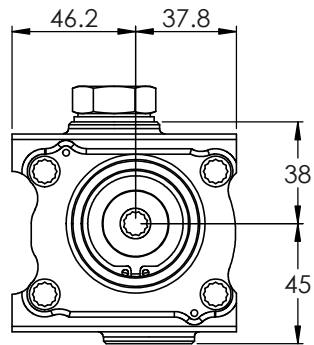
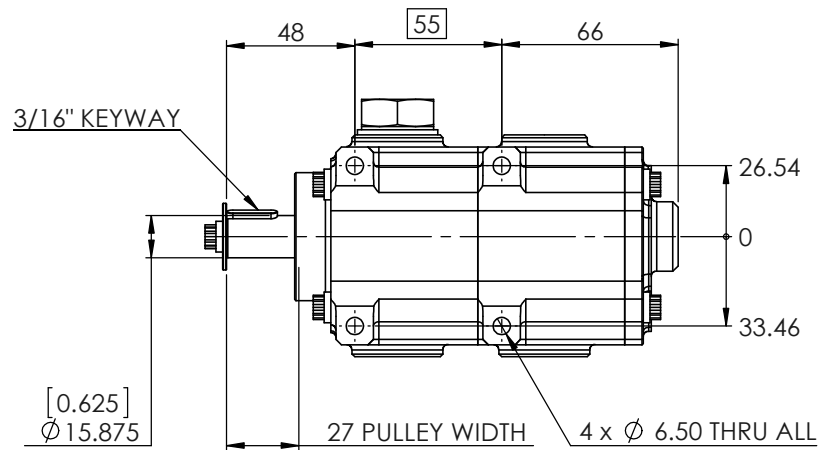
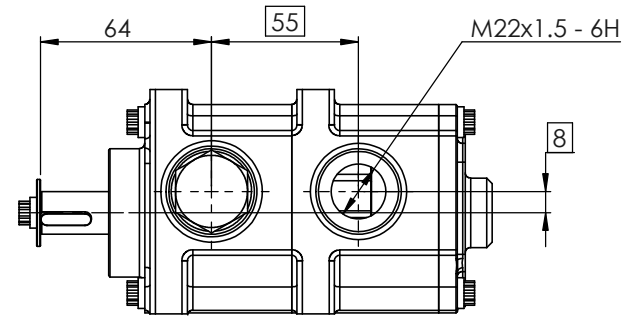



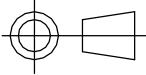
NOTES:

1. DISPLACEMENT PER REVERLUTION PER STAGE = 22.0 CC/REV
2. DISPLACEMENT AT 1000 RPM = 22.0 LT/MIN
3. PRV CRACKING PRESSURE:-
 MINIMUM = 1.4 BAR (20 PSI)
 MAXIMUM = 6.9 BAR (100PSI)
4. FOR EACH FULL TURN OF THE ADJUSTER THE CRACKING PRESSURE WILL INCREASE/DECREASE BY 0.34 BAR (5.0 PSI)



ISOMETRIC VIEW



| | | | |
|--|---|------------------|---|
|  COPYRIGHT (c) 2013 AT POWER LTD UNIT 9, CHESTNUT DRIVE, WYMONDHAM, NORFOLK, UK, NR18 9SB |  THIRD ANGLE PROJECTION | MATERIAL | SEE COMPONENT PART |
| | | FINISH | SEE COMPONENT PART |
| UNLESS OTHERWISE STATED: DIMENSIONS IN MILLIMETRES TOLERANCES: LINEAR ± 0.1 ANGULAR ± 0.5° SURFACE FINISH √ = √ DRAWING STANDARDS TO ATQS 6003 DATE FORMAT: DD/MM/YY | SCALE 1:2 | WEIGHT 2.2 kg | DRAWING TITLE |
| | DRAWN - S.HOW | DATE - 25/01/18 | 2 STAGE MAGNA CORDIS-SCAVENGE PUMP-SHORT NOSE-22.0 Ltr |
| THIS DESIGN IS THE PROPERTY OF ACTIVE TECHNOLOGIES LTD AND MUST NOT BE REPRODUCED OR COMMUNICATED WITHOUT AUTHORITY | CAD PLOT DO NOT SCALE | CHECKED - S.HOW | DRAWING NUMBER |
| | APPROVED - A.CLIFTON | 104-103-00033 | SHEET 2 OF 2 A3 |