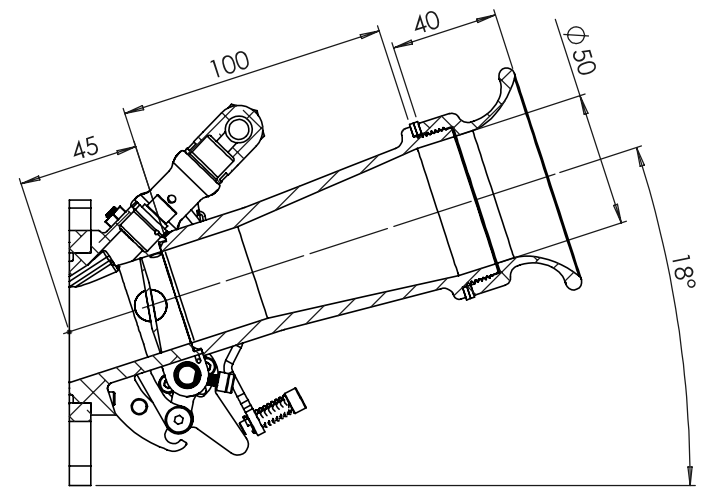
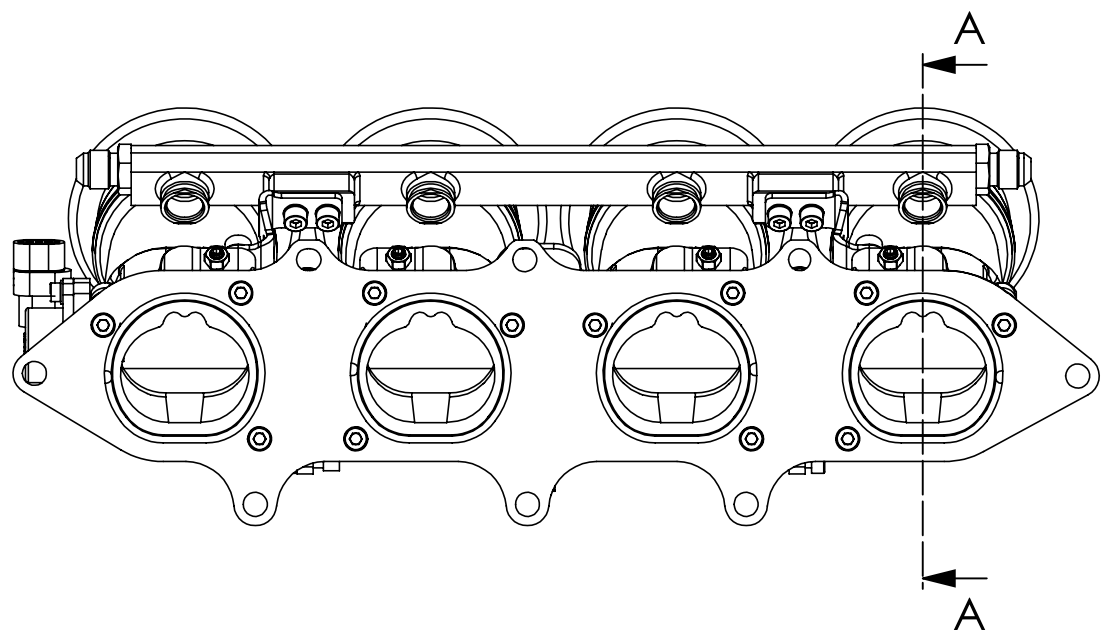
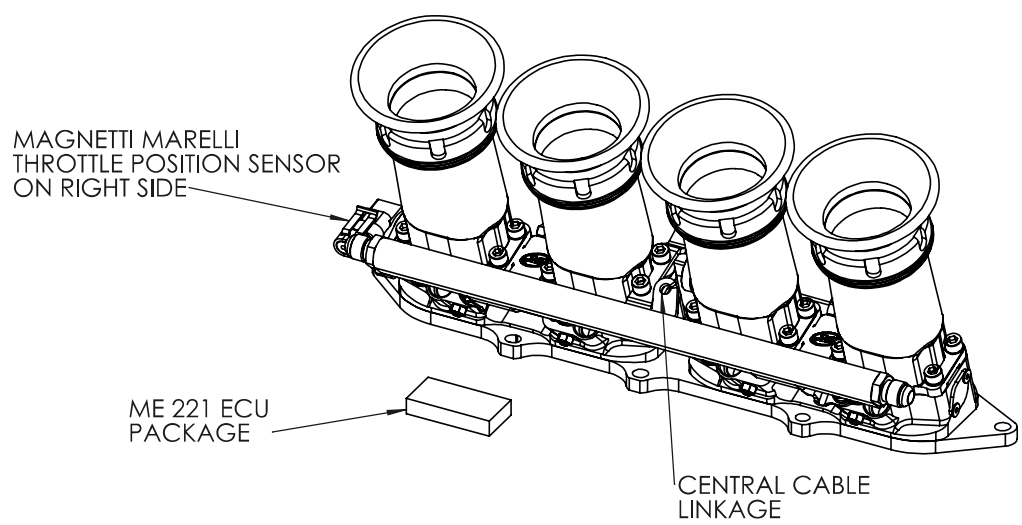


8 7 6 5 4 3 2 1


F E D C B A



SECTION A-A



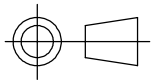
NOTE:
FOR HEAD FLANGE AND PORT DETAILS
REFER TO THE THROTTLE PACKAGE DRAWING
102-104-00013



**COPYRIGHT (c) 2013
AT POWER LTD
UNIT 9, CHESTNUT DRIVE, WYMONDHAM,
NORFOLK, UK, NR18 9SB**

UNLESS OTHERWISE STATED:
DIMENSIONS IN MILLIMETRES
TOLERANCES: LINEAR ± 0.1 ANGULAR ± 0.5°
SURFACE FINISH ✓ = ✓
DRAWING STANDARDS TO ATQS 6003
DATE FORMAT: DD/MM/YY

THIS DESIGN IS THE PROPERTY OF
AT POWER THROTTLES LTD AND
MUST NOT BE REPRODUCED OR
COMMUNICATED WITHOUT
AUTHORITY

 THIRD ANGLE PROJECTION	
SCALE 1:2	WEIGHT 2872.060 kg
DRAWN- S.HOW	
DATE- 21/12/22	
CHECKED - S.HOW	
APPROVED - A.CLIFTON	
CAD PLOT DO NOT SCALE	

MATERIAL	SEE COMPONENT PARTS
FINISH	SEE COMPONENT PARTS
DRAWING TITLE	ASSY - FORD ST170 - CABLE PULL - WITH ME360 ECU - PACKAGE
DRAWING NUMBER	102-102-00421

8 7 6 5 4 3 2 1