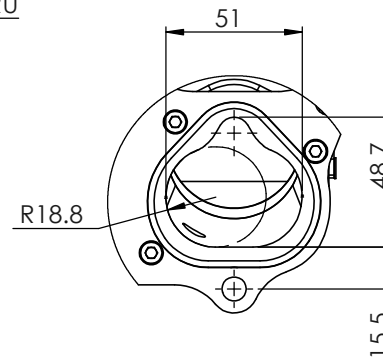
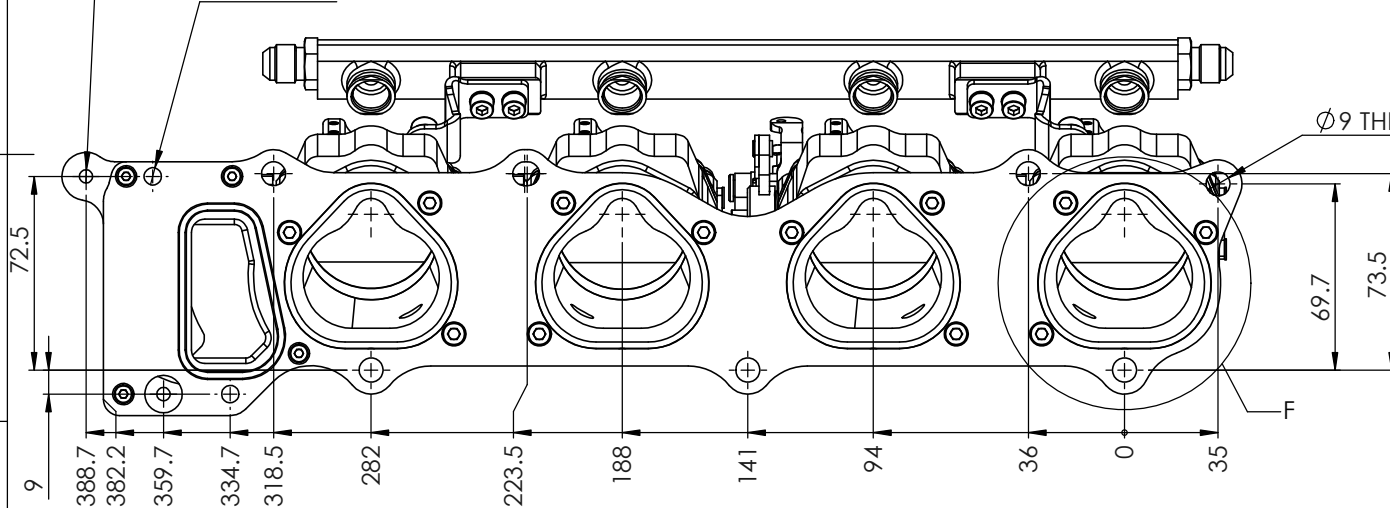


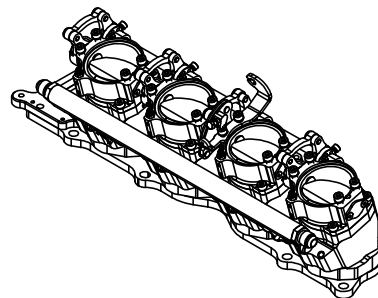
2 x ϕ 5 THRU ALL
M6x1.0 - 6H THRU ALL

ϕ 6.5 THRU

ϕ 9 THRU



DETAIL F

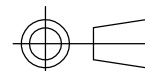


COPYRIGHT (c) 2013
AT POWER LTD
UNIT 9, CHESTNUT DRIVE, WYMONDHAM,
NORFOLK, UK, NR18 9SB

UNLESS OTHERWISE STATED:
DIMENSIONS IN MILLIMETRES
TOLERANCES: LINEAR \pm 0.1 ANGULAR \pm 0.5°
SURFACE FINISH $\sqrt{\text{V}}$ = $\sqrt{\text{V}}$
DRAWING STANDARDS TO ATQS 6003
DATE FORMAT: DD/MM/YY

THIS DESIGN IS THE PROPERTY OF
AT POWER THROTTLES LTD AND
MUST NOT BE REPRODUCED OR
COMMUNICATED WITHOUT
AUTHORITY

CAD PLOT
DO NOT
SCALE



THIRD ANGLE PROJECTION

SCALE
1:2

WEIGHT
3.5 kg

DRAWN- S.HOW

DATE - 15/02/18

CHECKED - S.HOW

APPROVED - A.CLIFTON

MATERIAL

SEE COMPONENT PARTS

FINISH

SEE COMPONENT PARTS

DRAWING TITLE

ASSY - HOUSING -
UNIVERSAL - HONDA - K20 -
DC5 - 50MM- (STD PORT)

DRAWING NUMBER

102-109-00049

SHEET 2 OF 2 A3