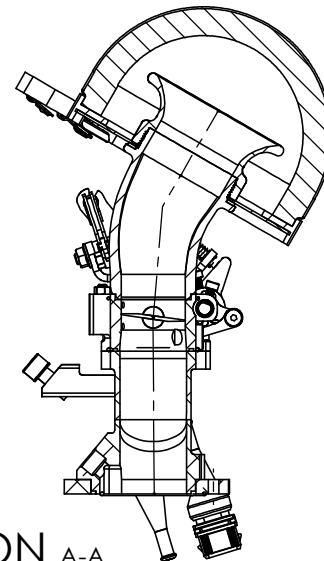


NOTE:
FOR HEAD FLANGE AND PORT DETAILS
REFER TO THE THROTTLE PACKAGE DRAWING
102-102-00117



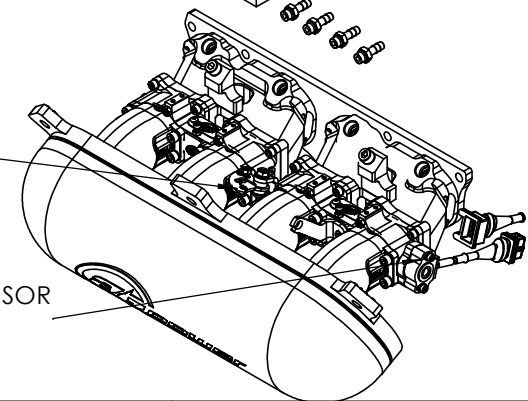
SECTION A-A


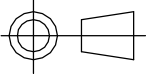
RIGHT PULL
CABLE LINKAGE

WABASH
THROTTLE POSITION SENSOR
ON LEFT HAND SIDE

ME360 ECU
PACKAGE

8MM HOSE TAIL
VACUUM FITTINGS
SUPPLIED IF REQUIRED



 COPYRIGHT (c) 2013 AT POWER LTD UNIT 9, CHESTNUT DRIVE, WYMONDHAM, NORFOLK, UK, NR18 9SB	 THIRD ANGLE PROJECTION		MATERIAL	SEE COMPONENT PARTS
	SCALE 1:3	WEIGHT 5699.030 kg	FINISH	SEE COMPONENT PARTS
UNLESS OTHERWISE STATED: DIMENSIONS IN MILLIMETRES TOLERANCES: LINEAR ± 0.1 ANGULAR $\pm 0.5^\circ$ SURFACE FINISH $\nabla = \nabla$ DRAWING STANDARDS TO ATQS 6003 DATE FORMAT: DD/MM/YY	DRAWN- S.HOW	DRAWING TITLE		
THIS DESIGN IS THE PROPERTY OF AT POWER THROTTLES LTD AND MUST NOT BE REPRODUCED OR COMMUNICATED WITHOUT AUTHORITY	DATE - 16/12/22	ASSY - HONDA K20-DC5 STAGGERED - CABLE PULL - WITH ME360 ECU - PACKAGE		
CAD PLOT DO NOT SCALE	CHECKED - S.HOW	DRAWING NUMBER		
APPROVED - A.CLIFTON		102-102-00416		
		SHEET 2 of 2 A3		