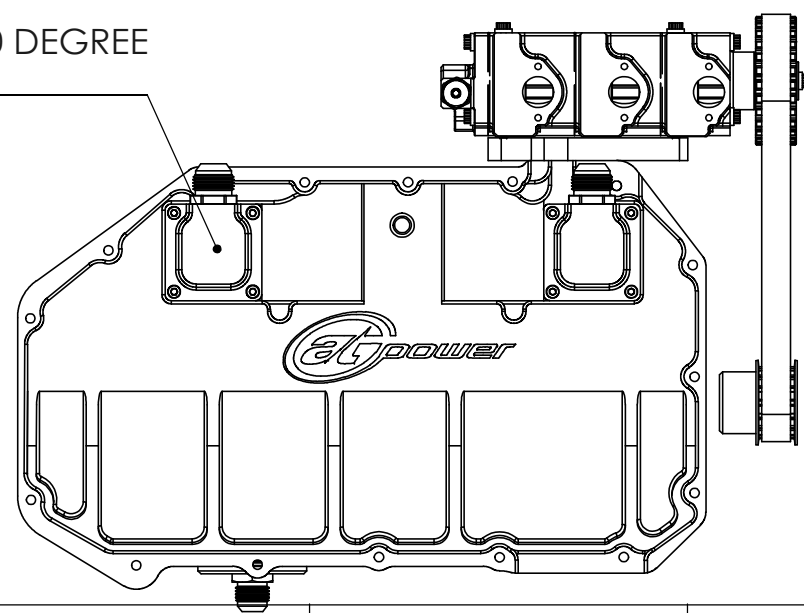

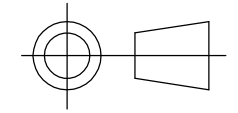


SCAVANGE TURRETS
CAN BE ROTATED AT 90 DEGREE
INTERVALS



 COPYRIGHT (c) 2013 AT POWER LTD UNIT 9, CHESTNUT DRIVE, WYMONDHAM, NORFOLK, UK, NR18 9SB	 THIRD ANGLE PROJECTION		MATERIAL SEE COMPONENT PARTS
	SCALE 1:3	WEIGHT 6.2 kg	FINISH SEE COMPONENT PARTS
UNLESS OTHERWISE STATED: DIMENSIONS IN MILLIMETRES TOLERANCES: LINEAR ± 0.1 ANGULAR $\pm 0.5^\circ$ SURFACE FINISH $\surd = \surd$ DRAWING STANDARDS TO ATQS 6003 DATE FORMAT: DD/MM/YY	DRAWN- S.HOW DATE - 08/06/18	DRAWING TITLE ASSY - SUMP KIT - HONDA - K20 - 3/4" BELT - EXHAUST	
THIS DESIGN IS THE PROPERTY OF AT POWER THROTTLES LTD AND MUST NOT BE REPRODUCED OR COMMUNICATED WITHOUT AUTHORITY	CHECKED - S.HOW APPROVED - S.HOW	DRAWING NUMBER 105-102-00015	
CAD PLOT DO NOT SCALE		SHEET 2 OF 2 A3	