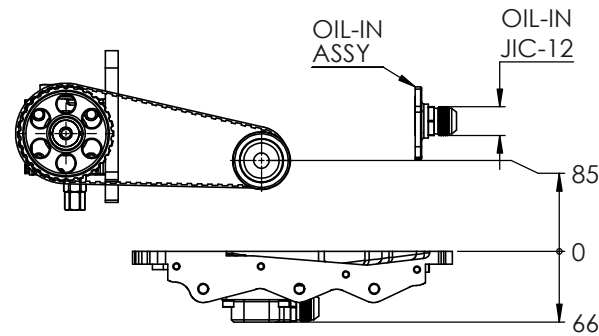


ISOMETRIC VIEW



NOTES:

1. SCAVENGE DISPLACEMENT PER REVOLUTION PER STAGE = 14.3 CC/REV
2. SCAVENGE DISPLACEMENT AT 1000 RPM = 14.3 LT/MIN
3. PUMP DISPLACEMENT PER REVOLUTION PER STAGE = 20.1 CC/REV
4. PUMP DISPLACEMENT AT 1000 RPM = 20.1 LT/MIN
5. DRIVE RATIO - 16/30

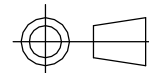


COPYRIGHT (c) 2013
AT POWER LTD
UNIT 9, CHESTNUT DRIVE, WYMONDHAM,
NORFOLK, UK, NR18 9SB

UNLESS OTHERWISE STATED:
DIMENSIONS IN MILLIMETRES
TOLERANCES: LINEAR ± 0.1 ANGULAR ± 0.5°
SURFACE FINISH - √ = √
DRAWING STANDARDS TO ATQS 6003
DATE FORMAT: DD/MM/YY

THIS DESIGN IS THE PROPERTY OF
AT POWER THROTTLES LTD AND
MUST NOT BE REPRODUCED OR
COMMUNICATED WITHOUT
AUTHORITY

CAD PLOT
DO NOT
SCALE



THIRD ANGLE PROJECTION

SCALE 1:5 WEIGHT 6.7 kg

DRAWN- S.HOW

DATE - 02/01/19

CHECKED - S.HOW

APPROVED - A.CLIFTON

MATERIAL

SEE COMPONENT PARTS

FINISH

SEE COMPONENT PARTS

DRAWING TITLE

ASSY - SUMP KIT - FORD - DURATEC
- 3/4" BELT - EXHAUST - 2.3L

DRAWING NUMBER

105-102-00013

SHEET 2 OF 2 A3